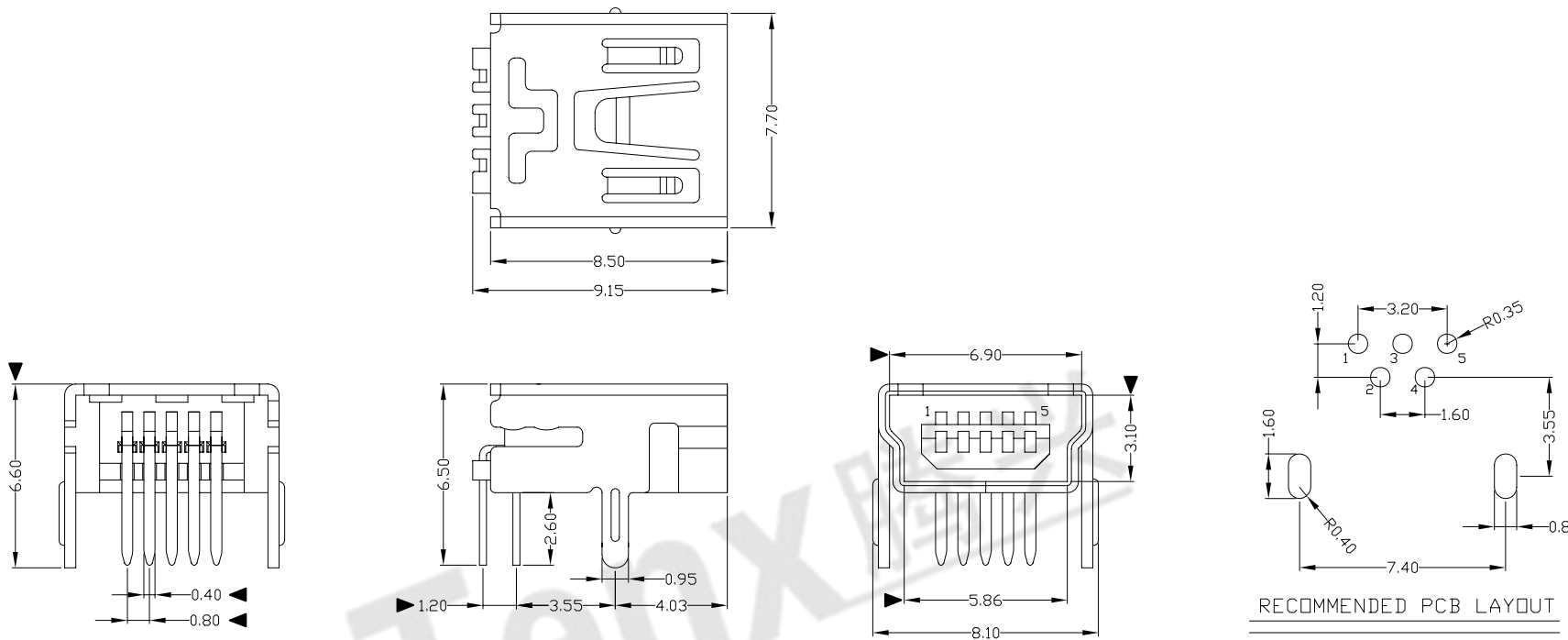




RoHS  
Compliant  
2002/95/EC

REV.	ECN.	NO.	APPD.



NOTES:

1. ELECTRICAL:

- 1) VOLTAGE CURRENT RATING: 1.0AMP,30V AC;
- 2) INSULATION RESISTANCE: 100MΩ MIN;
- 3) CONTACT RESISTANCE: 50mΩ MAX;
- 4) WITHSTANDING VOLTAGE: 300V AC;
- 5) OPERATING TEMPERATURE:-55°C TO +85°C.

2. Mechanical:

- 1) Mating Force: 30N MAX
- 2) Unmating Force: 7N MIN.

3. DIMENSIONS MARKED "▼" TO BE CHECKED BY Q.C & IPQC.

4.PART NO.

MUBF-05\*N-4BR87

W:WHITE  
B:BLACK  
1:PA6T  
2:PA6T  
3:PA9T  
4:LCP  
1:Au 1U\*  
6:Au 30U\*

Bill of materials:

NO	PARTS	MATERIAL	QTY	FINISHING					
3	HOUSING	LCP	1	UL94V-0	X. ±0.35	X.* ±2*	UNITS	mm	<b>东莞市腾兴电子有限公司</b> TITLE: MINI USB 5P/F 90° B型 (两脚加长) 13D PART NO.: MUBF-05*N-4BR87 DR: gan 2012/7/02 DWG NO.: AII-R87 CHKD: gan 2012/7/02 APPD:
2	SHELL	COPPER ALLOY	1	PLATED NICKEL	.X ±0.3	.X.* ±1*	MAT'L	SEE NOTE	
1	TERMINAL	COPPER ALLOY	5	PLATED GOLD/TIN	.XX ±0.25	.XX*	FINISH	SEE NOTE	
					.XXX ±0.15	.XXX*	Q'TY		
					THESE DRAWINGS AND SPECIFICATIONS ARE THE PROPERTY OF ACCURATE INNOTECH INC. AND SHALL NOT BE REPRODUCED, COPIED OR USED IN ANY MANNER WITHOUT THE PRIOR WRITTEN CONSENT OF ACCURATE INNOTECH INC.				
									SCALE: 1:1
									SHEET: 1/1
									REV: B
									CUSTOMER DRAWING