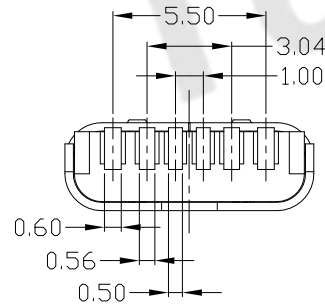
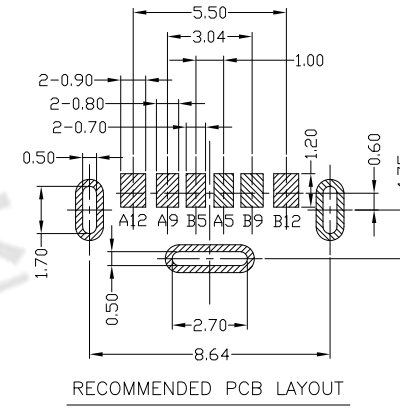
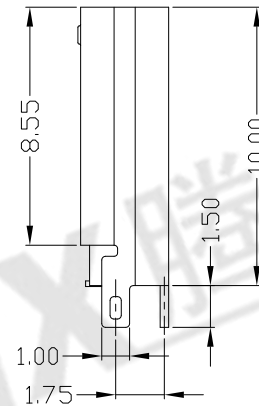
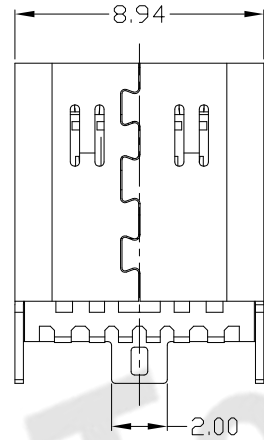
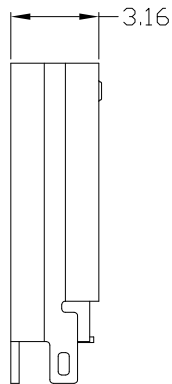
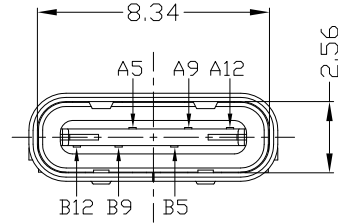




RoHS  
Compliant  
2002/95/EC

REV.	ECN.	NO.	APPD.

PIN NUMBER	PIN Name	Description
A5	CC1	Configuration Channel
A9	VBUS	Bus Power
A12	GND	Ground return
B5	CC1	Configuration Channel
B9	VBUS	Bus Power
B12	GND	Ground return



NOTES:

- ELECTRICAL:
  - VOLTAGE CURRENT RATING: 0.5AMP, 30V DC;
  - INSULATION RESISTANCE: 100MΩMIN;
  - CONTACT RESISTANCE: 50mΩMAX;
  - WITHSTANDING VOLTAGE: 100V AC;
  - OPERATING TEMPERATURE: -40°C TO +85°C.
- Mechanical:
  - Mating Force: 35N MAX
  - Unmating Force: 10N MIN.
- DIMENSIONS MARKED "▼" TO BE CHECKED BY Q.C & IPQC.

4. PART NO.

USCF-06\*N-4BQT00

1: Au 1U\*  
2: Au 3U\*  
5: Au 15U\*  
6: Au 30U\*

W: WHITE  
B: BLACK  
1: PBT  
2: PA6T  
3: PA9T  
4: LCP

Bill of materials:

NO	PARTS	MATERIAL	QTY	FINISHING	X. ±0.35	X.* ±2*	UNITS	东莞市腾兴电子有限公司			
3	SHELL	STAINLESS STEEL	1	PLATED NICKEL	.X ±0.3	.X* ±1*	mm	TITLE: USB 3.1 C TYPE 6PIN母头 立式SMT		PART NO.: USCF-06*N-4BQT00	
2	TERMINAL	COPPER ALLOY	6	PLATED GOLD/TIN	.XX ±0.25	.XX*	MAT'L	DR: gan 2018/1/20		DWG NO.: AII-QT00	
1	HOUSING	LCP+30%GF	1	UL94V-0	.XXX ±0.15	.XXX*	FINISH	CHKD: gan 2018/1/20		SCALE: 1:1	
							Q'TY	APPD:		SHEET: 1/1	
										REV.: B	
										CUSTOMER DRAWING	

THESE DRAWINGS AND SPECIFICATIONS ARE THE PROPERTY OF ACCURATE INNOVATECH INC AND SHALL NOT BE REPRODUCED, COPIED OR USED IN ANY MANNER WITHOUT THE PRIOR WRITTEN CONSENT OF ACCURATE INNOVATECH INC.

