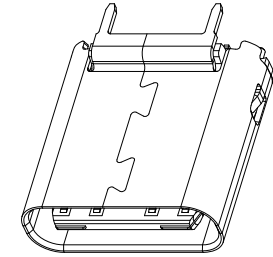
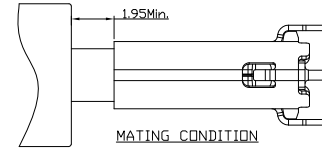
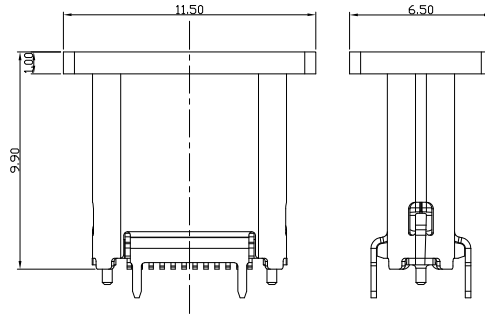
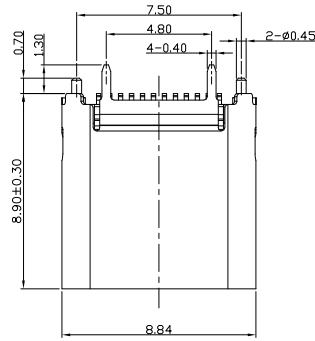


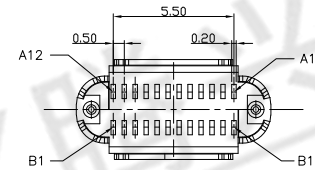
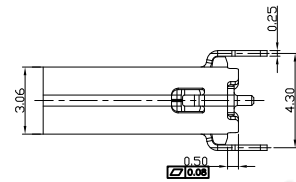
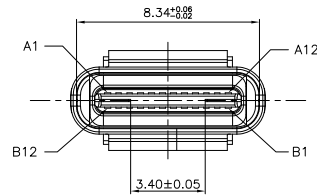


RoHS
Compliant
2002/95/EC

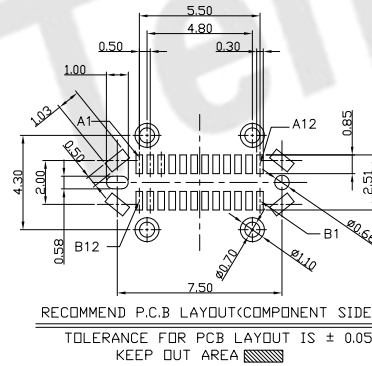
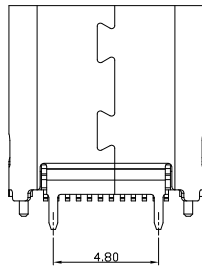
REV.	ECN. NO.	APPD.



INCREASE THE DIAGRAMS OF CAP



Pin	Signal Name	Mating Sequence	Pin	Signal Name	Mating Sequence
A1	GND	First	B12	GND	First
A2	SSTXp1	Second	B11	SSRXp1	Second
A3	SSTXn1	Second	B10	SSRXn1	Second
A4	VBUS	First	B9	VBUS	First
A5	CC1	Second	B8	SBU2	Second
A6	Dp1	Second	B7	Dn2	Second
A7	Dn1	Second	B6	Dp2	Second
A8	SBU1	Second	B5	CC2	Second
A9	VBUS	First	B4	VBUS	First
A10	SSRXn2	Second	B3	SSTXn2	Second
A11	SSRXp2	Second	B2	SSTXp2	Second
A12	GND	First	B1	GND	First
SHELL	GND		SHELL	GND	



NOTES:

- ELECTRICAL CHARACTERISTICS:
 - CURRENT RATING: 5A FOR VBUS PIN; 1.25A FOR VCONN PIN.
 - INSULATION RESISTANCE: 100MΩ Min
 - CONTACT RESISTANCE: 40mΩ Max FOR INITIAL. 10mΩ CHANGE AFTER TEST. MEASURE AT 20mV, 100mA.
 - WITHSTANDING VOLTAGE: 100V AC R.M.S.
 - OPERATING TEMPERATURE: -40°C ~ 85°C
- MECHANICAL CHARACTERISTICS:
 - MATING FORCE: 5N~20N
 - UNMATED FORCE: 6N~20N AFTER TEST
 - DURABILITY: 10,000 CYCLES
- DIMENSIONS MARKED "▼"
TO BE CHECKED BY Q.C & IPQC.

4.PART NO.

USCF-24*N-4BQL02

W:WHITE
B:BLACK

1:Au 1U*
2:Au 3U*
5:Au 15U*
6:Au 30U*

1:PBT
2:PA6T
3:PA9T
4:LCP

5				X. ±0.50	ANGEL ±2°	UNITS mm
4				.X ±0.30		MAT'L
3	SHELL	STAINLESS STEEL	1	.XX ±0.20		SEE NOTE
2	CONTACT	COPPER ALLOY	24	.XXX ±0.10		FINISH
1	INSULATOR	LCP+30%GF	1			SEE NOTE
NO	PARTS	MATERIAL	QTY			Q'TY

THESE DRAWINGS AND SPECIFICATIONS ARE THE PROPERTY OF ACCURATE INNO TECH INC AND SHALL NOT BE REPRODUCED, COPIED OR USED IN ANY MANNER WITHOUT THE PRIOR WRITTEN CONSENT OF ACCURATE INNO TECH INC

东莞市腾兴电子有限公司			
TITLE: USB 3.1 TYPE C FEMALE VERTICAL H8.90mm SMT TYPE		PART NO.: USCF-24XN-4BQL02	
DR: Ricky 2018/02/14		DWG NO.: AII-QL02	
CHKD: Ricky 2018/02/14		SCALE: 1:1	SHEET: 1/1
APPD:		REV.: B	CUSTOMER DRAWING