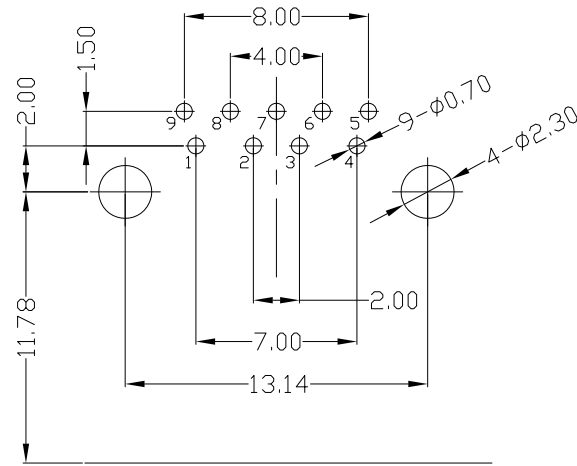
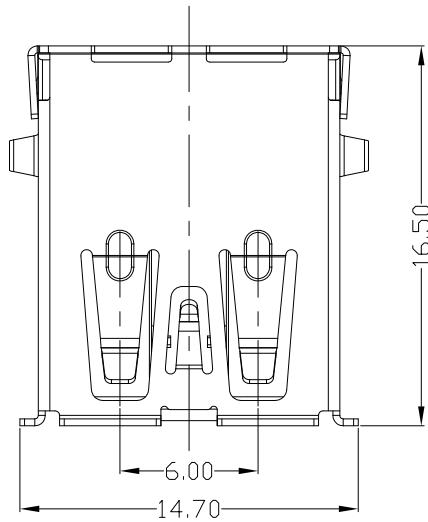




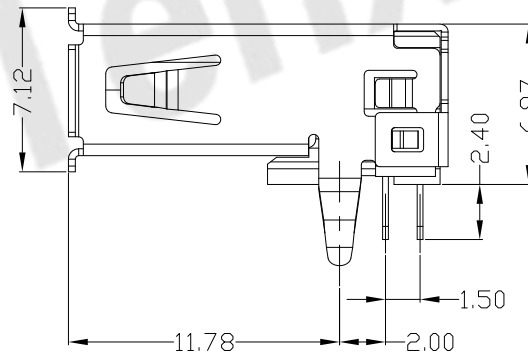
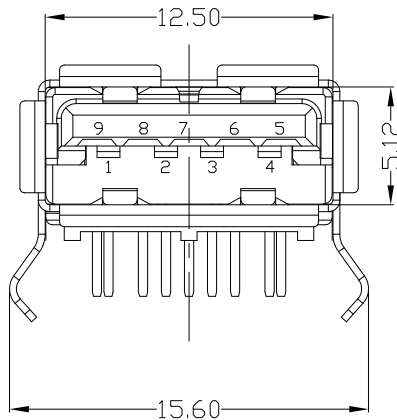
RoHS  
Compliant  
2002/95/EC

REV.	ECN. NO.	APPD.



RECOMMEND PCB LAYOUT

Pin #	SIGNAL NAME	DESCRIPTION	MATING SEQUENCE
1	VBUS	POWER	SECOND
2	D-	USB 2.0 DIFFERENTIAL PAIR	THIRD
3	D+		
4	GND	GROUND FOR POWER RETURN	SECOND
5	StdA_SSRX-	SUPERSPEED RECEIVER DIFFERENTIAL PAIR	LAST
6	StdA_SSRX+		
7	GND_DRAIN	GROUND FOR SIGNAL RETURN	FRIST
8	StdA_SSTX-	SUPERSPEED TRANSMITTER DIFFERENTIAL PAIR	
9	StdA_SSTX+		
Shell	Shield	CONNECTOR METAL SHELL	FRIST



NOTES:

- ELECTRICAL:
  - VOLTAGE CURRENT RATING: 1.8AMP,30V AC;
  - INSULATION RESISTANCE: 100MΩ MIN;
  - CONTACT RESISTANCE: 30mΩ MAX;
  - WITHSTANDING VOLTAGE: 100V AC;
  - OPERATING TEMPERATURE:-55°C TO +85°C.
- Mechanical:
  - Mating Force: 35N MAX
  - Unmating Force: 10N MIN.
- DIMENSIONS MARKED "▼" TO BE CHECKED BY Q.C & IPQC.
- PART NO.

USAF-09XN-1BLRA0

1:Au 10U\*  
5:Au 15U\*  
6:Au 30U\*  
T:TIN  
N:NICKEL  
W:WHITE  
B:BLACK  
BL:BLUE  
1:PBT  
2:PA6T  
3:PA9T  
4:LCP

Bill of materials:

NO	PARTS	MATERIAL	QTY	FINISHING	UNITS	mm
4	HOUSING	PBT+30%GF	1	UL94V-0	X. ±0.35	X.' ±2'
3	SHELL	COPPER ALLOY	1	PLATED TIN/NICKEL	.X ±0.3	.X' ±1'
2	TERMINAL	COPPER ALLOY	5	PLATED GOLD/TIN	.XX ±0.25	.XX'
1	TERMINAL	COPPER ALLOY	4	PLATED GOLD/TIN	.XXX ±0.15	.XXX'
NO	PARTS	MATERIAL	QTY	FINISHING	THESE DRAWINGS AND SPECIFICATIONS ARE THE PROPERTY OF ACCURATE INNOTECH INC AND SHALL NOT BE REPRODUCED, COPIED OR USED IN ANY MANNER WITHOUT THE PRIOR WRITTEN CONSENT OF ACCURATE INNOTECH INC	

UNITS				MAT'L				FINISH				Q'TY			
mm				SEE NOTE				SEE NOTE				SEE NOTE			
东莞市腾兴电子有限公司								TITLE:				PART NO.:			
								USB AF3.0 单层90度有卷边两脚插板				USAF-09XN-1BLRA0			
DR: gan 2017/3/15								DWG NO.:				SCALE			
								AII-RA0				SHEET			
CHKD: gan 2017/3/15								REV.:				CUSTOMER DRAWING			
								B				DRAWING			
APPD:								1:1				1/1			