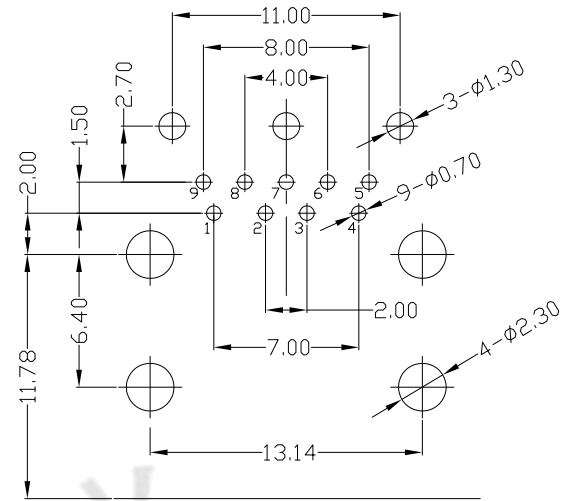
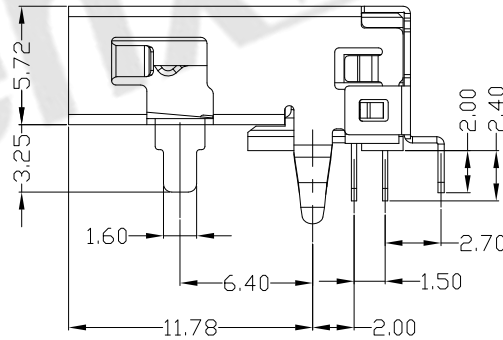
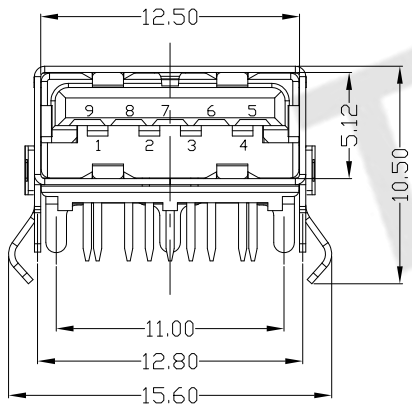
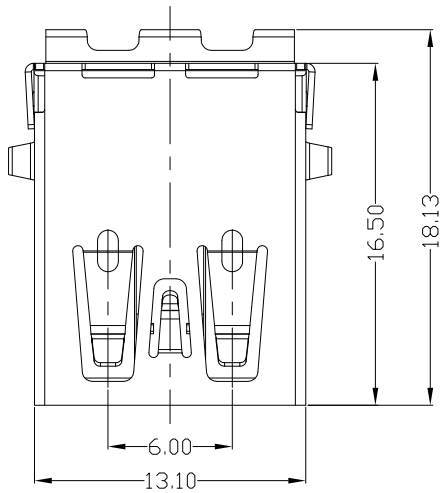




RoHS  
Compliant  
2002/95/EC

REV.	ECN.	NO.	APPD.



RECOMMEND PCB LAYOUT

NOTES:

- ELECTRICAL:
  - VOLTAGE CURRENT RATING: 1.8AMP,30V AC;
  - INSULATION RESISTANCE: 100MΩ MIN;
  - CONTACT RESISTANCE: 30mΩ MAX;
  - WITHSTANDING VOLTAGE: 100V AC;
  - OPERATING TEMPERATURE:-55°C TO +85°C.
- Mechanical:
  - Mating Force: 35N MAX
  - Unmating Force: 10N MIN.
- DIMENSIONS MARKED "▼" TO BE CHECKED BY Q.C & IPQC.
- PART NO.

USAF-09XN-1BLRA2

1: Au 1U\*  
5: Au 15U\*  
6: Au 30U\*  
T: TIN  
N: NICKEL  
W: WHITE  
B: BLACK  
BL: BLUE  
1: PBT  
2: PA6T  
3: PA9T  
4: LCP

Bill of materials:

NO	PARTS	MATERIAL	QTY	FINISHING	X. ±0.35	X.' ±2'	UNITS	mm
4	HOUSING	PBT+30%GF	1	UL94V-0	.X ±0.35	X.' ±2'	UNITS	mm
3	SHELL	COPPER ALLOY	1	PLATED TIN/NICKEL	.X ±0.3	.X' ±1'	MAT'L	
2	TERMINAL	COPPER ALLOY	5	PLATED GOLD/TIN	.XX ±0.25	.XX'	SEE NOTE	
1	TERMINAL	COPPER ALLOY	4	PLATED GOLD/TIN	.XXX ±0.15	.XXX'	FINISH	
							Q'TY	

THESE DRAWINGS AND SPECIFICATIONS ARE THE PROPERTY OF ACCURATE INNOVATECH AND SHALL NOT BE REPRODUCED, COPIED OR USED IN ANY MANNER WITHOUT THE PRIOR WRITTEN CONSENT OF ACCURATE INNOVATECH INC

**东莞市腾兴电子有限公司**

TITLE: USAF AF3.0 单层90度 平口 7脚插板

DR: gan 2017/3/15

CHKD: gan 2017/3/15

APPD:

PART NO.: USAF-09XN-1BLRA2

DWG NO.: AII-RA2

SCALE	SHEET	REV.	CUSTOMER DRAWING
1:1	1/1	B	