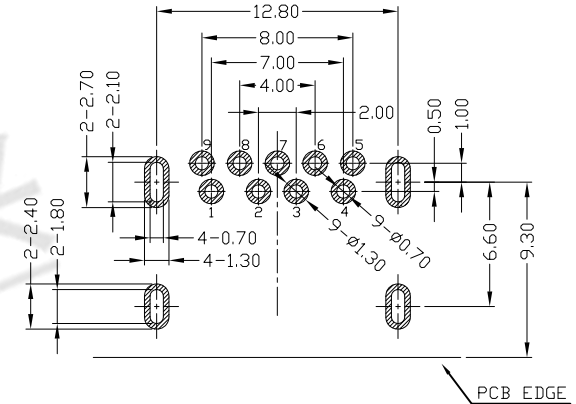
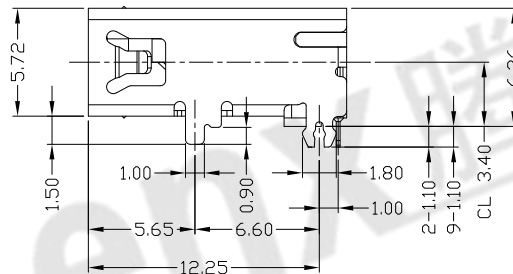
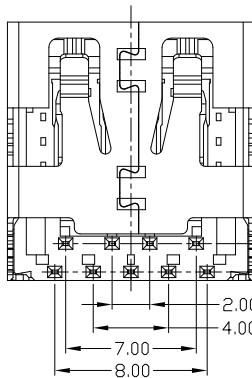
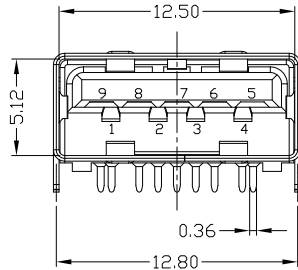
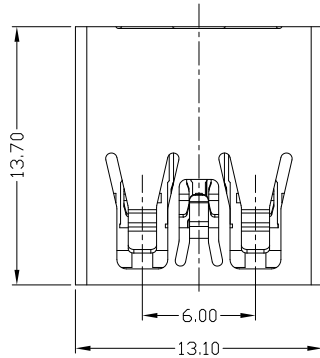
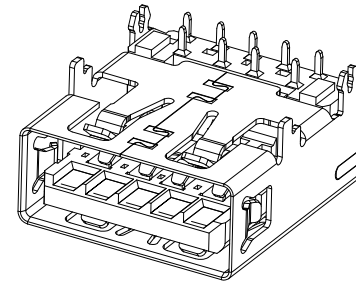




RoHS
Compliant
2002/95/EC

REV.	ECN.	NO.	APPD.

Pin #	SIGNAL NAME	DESCRIPTION	MATING SEQUENCE
1	VBUS	POWER	SECOND
2	D-	USB 2.0 DIFFERENTIAL PAIR	THIRD
3	D+		
4	GND	GROUND FOR POWER RETURN	SECOND
5	StdA_SSRX-	SUPERSPEED RECEIVER DIFFERENTIAL PAIR	LAST
6	StdA_SSRX+		
7	GND_DRAIN	GROUND FOR SIGNAL RETURN	
8	StdA_SSTX-	SUPERSPEED TRANSMITTER DIFFERENTIAL PAIR	
9	StdA_SSTX+		
Shell	Shield	CONNECTOR METAL SHELL	FRIST



RECOMMENDED PCB LAYOUT

NOTES:

- ELECTRICAL:
 - CURRENT RATING: 1.5AMP;
 - INSULATION RESISTANCE: 100MΩ MIN;
 - CONTACT RESISTANCE: 30mΩ MAX;
 - WITHSTANDING VOLTAGE: 100V AC;
 - OPERATING TEMPERATURE: -25°C ~ +75°C.
- Mechanical:
 - Mating Force: 35N MAX
 - Unmating Force: 10N MIN.
- DIMENSIONS MARKED "▼" TO BE CHECKED BY Q.C & IPQC.

4. PART NO.

USAF-09*N-3BLRC12

1:W:WHITE
2:B:BLACK
3:BL:BLUE
4:BL:BLUE
1:PA6T
2:PA6T
3:PA9T
4:LCP

Bill of materials:

NO	PARTS	MATERIAL	QTY	FINISHING	UNITS	mm	东莞市腾兴电子有限公司					
3	SHELL	STAINLESS STEEL	1	PLATED NICKEL	X. ±0.35	X.' ±2'	SEE NOTE	TITLE: USB 3.0 AF 90度 DIP H=6.26 L=13.7 CL=3.40mm		PART NO.: USAF-09*N-3BLRC12		
2	TERMINAL	COPPER ALLOY	9	PLATED GOLD/TIN	.X ±0.3	.X' ±1'		FINISH	DR: gan 2016/12/30		DWG NO.: AII-RC12	
1	HOUSING	PA9T/LCP	1	UL94V-0	.XX ±0.25	.XX'		Q'TY	CHKD: gan 2016/12/30		SCALE	SHEET
					THESE DRAWINGS AND SPECIFICATIONS ARE THE PROPERTY OF ACCURATE INNOVATECH INC AND SHALL NOT BE REPRODUCED, COPIED OR USED IN ANY MANNER WITHOUT THE PRIOR WRITTEN CONSENT OF ACCURATE INNOVATECH INC.		APPD:		1:1	1/1	REV. B	CUSTOMER DRAWING