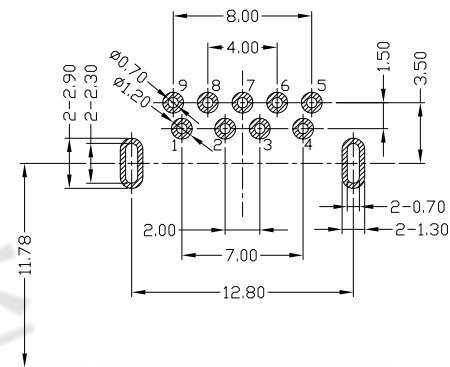
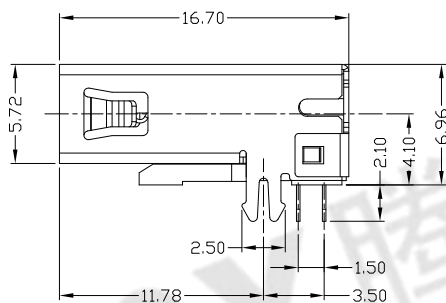
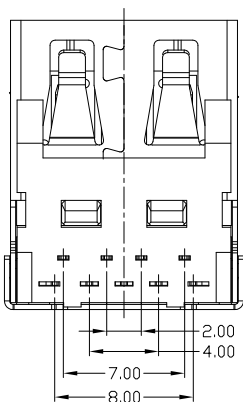
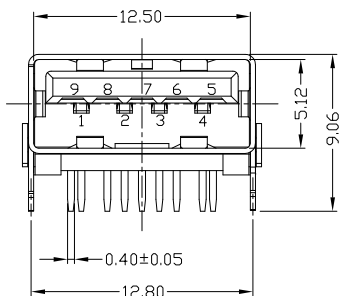
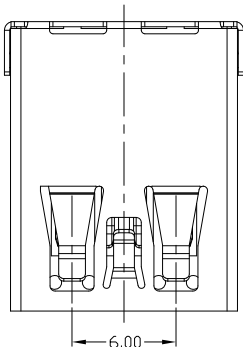




RoHS
Compliant
2002/95/EC

REV.	ECN.	NO.	APPD.

PIN NUMBER	SIGNAL NAME
1	VBUS
2	D-
3	D+
4	GND
5	STDA_SSRX-
6	STDA_SSRX+
7	GND_DRAIN
8	STDA_SSTX-
9	STDA_SSTX+
Shell	Shield



RECOMMENDED PCB LAYOUT

NOTES:

- ELECTRICAL:
 - CURRENT RATING:1.5 AMP;
 - INSULATION RESISTANCE: 100MΩ MIN;
 - CONTACT RESISTANCE: 30mΩ MAX;
 - WITHSTANDING VOLTAGE: 100V AC;
 - OPERATING TEMPERATURE:-40°C ~ +85°C.
- Mechanical:
 - Mating Force: 35N MAX
 - Unmating Force: 10N MIN.
- DIMENSIONS MARKED "▼" TO BE CHECKED BY Q.C & IPQC.

4. PART NO.

USAF-09*N-4BLRC114

- 1:W:WHITE
- 2:B:BLACK
- 3:BL:BLUE
- 1:PBT
- 2:PA6T
- 3:PA9T
- 4:LCP

Bill of materials:

NO	PARTS	MATERIAL	QTY	FINISHING	UNITS	mm	东莞市腾兴电子有限公司				
3	SHELL	COPPER ALLOY	1	PLATED NICKEL	.X ±0.35	.X' ±2'	SEE NOTE	TITLE: USB 3.0 AF 90度 DIP 无卷边 鱼叉脚 脚长2.1 PART NO.: USAF-09*N-4BLRC114 DR: gan 2016/12/1 DWG NO.: AII-RC114 CHKD: gan 2016/12/1 SCALE: 1:1 SHEET: 1/1 REV: B CUSTOMER DRAWING			
2	TERMINAL	COPPER ALLOY	9	PLATED GOLD/TIN	.X ±0.3	.X' ±1'					
1	HOUSING	LCP+30%GF	1	UL94V-0	.XX ±0.25	.XX'					
					.XXX ±0.15	.XXX'	FINISH				
					THESE DRAWINGS AND SPECIFICATIONS ARE THE PROPERTY OF ACCURATE INNO TECH INC AND SHALL NOT BE REPRODUCED, COPIED OR USED IN ANY MANNER WITHOUT THE PRIOR WRITTEN CONSENT OF ACCURATE INNO TECH INC.		Q'TY				
							APPD:				