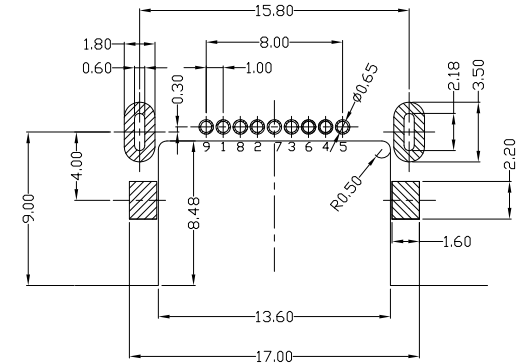
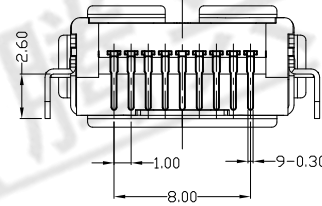
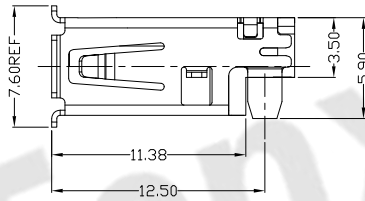
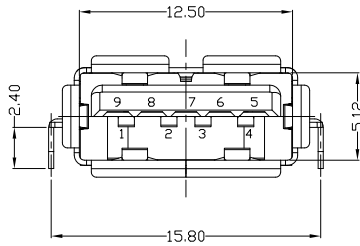
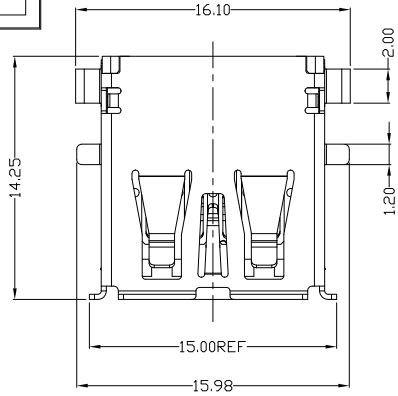


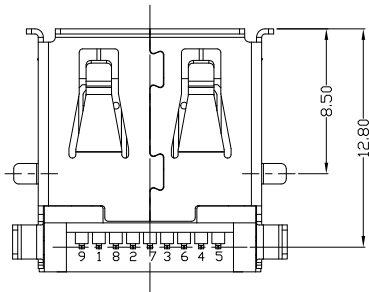


RoHS
Compliant
2002/95/EC

REV.	ECN.	NO.	APPD.



RECOMMENDED PCB LAYOUT(1.0~1.60±0.05)



NOTES:

- ELECTRICAL:
 - VOLTAGE CURRENT RATING:1.5AMP,30V AC;
 - INSULATION RESISTANCE: 1000Ω MIN;
 - CONTACT RESISTANCE: 30mΩ MAX;
 - WITHSTANDING VOLTAGE: 500V AC;
 - OPERATING TEMPERATURE:-25°C TO +85°C.
- Mechanical:
 - Mating Force: 35N MAX
 - Unmating Force: 10N MIN.
- NOTE:1.DIMENSIONS MARKED "▼" TO BE CHECKED BY Q.C & IPQC.

4.PART NO.

USAF-091N-4BLRS47

1:Au 1U'
5:Au 15u'
6:Au 30U'

1:PBT
2:PA6T
3:PA9T
4:LCP

W:WHITE
B:BLACK
BL:BLUE

Bill of materials:

NO	PARTS	MATERIAL	QTY	FINISHING
4	HOUSING	LCP+30%GF	1	UL94V-0
3	SHELL	COPPER ALLOY	1	PLATED NICKEL
2	TERMINAL(4P)	COPPER ALLOY	4	PLATED GOLD/TIN
1	TERMINAL(5P)	COPPER ALLOY	5	PLATED GOLD/TIN

X. ±0.35		X.' ±2'	UNITS	mm
.X ±0.3		.X' ±1'	MAT'L	
.XX ±0.25		.XX'	SEE NOTE	
.XXX ±0.15		.XXX'	FINISH	
			SEE NOTE	
			Q'TY	

东莞市腾兴电子有限公司			
TITLE: USB 3.0 AF 沉板 H3.50 DIP 卷边带 缺口 蓝胶		PART NO.:	
DR: gan 2018/07/12		USAF-091N-4BLRS47	
CHKD: gan 2018/07/12		DWG NO.:	
APPD:		AII-RS47	
SCALE	SHEET	REV.	CUSTOMER
1:1	1/1	B	DRAWING

THESE DRAWINGS AND SPECIFICATIONS ARE THE PROPERTY OF ACCURATE INNO TECH INC AND SHALL NOT BE REPRODUCED, COPIED OR USED IN ANY MANNER WITHOUT THE PRIOR WRITTEN CONSENT OF ACCURATE INNO TECH INC

