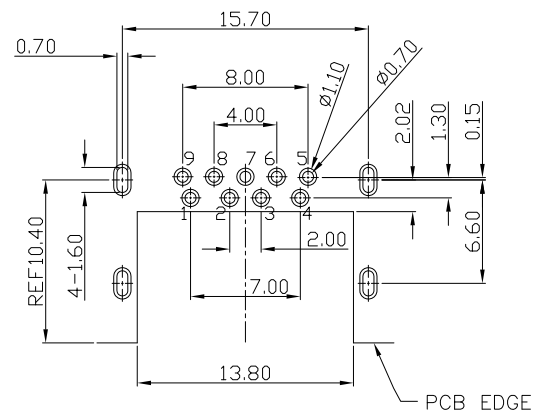
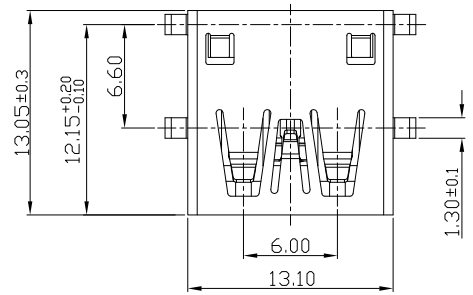




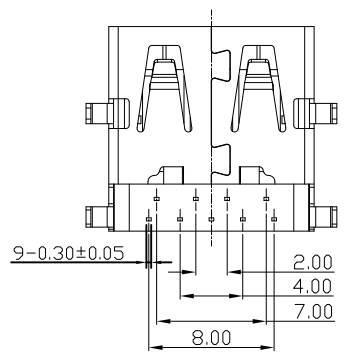
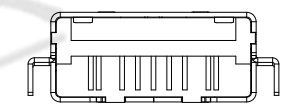
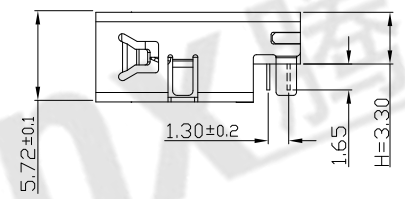
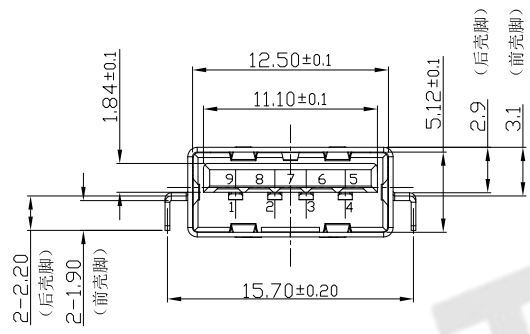
RoHS Compliant
2002/95/EC

REV.	ECN.	NO.	APPD.



TOLERANCE: ±0.05, THICKNESS: 1.2 mm
RECOMMENDED PCB LAYOUT

Pin #	SIGNAL NAME
1	VBUS
2	D-
3	D+
4	GND
5	StdA_SSRX-
6	StdA_SSRX+
7	GND_DRAIN
8	StdA_SSTX-
9	StdA_SSTX+
Shell	Shield



- NOTES:
- ELECTRICAL:
 - VOLTAGE CURRENT RATING: 1.5AMP, 30V AC;
 - INSULATION RESISTANCE: 1000MΩ MIN;
 - CONTACT RESISTANCE: 30mΩ MAX;
 - WITHSTANDING VOLTAGE: 500V AC;
 - OPERATING TEMPERATURE: -40°C TO +85°C.
 - Mechanical:
 - Mating Force: 35N MAX
 - Unmating Force: 10N MIN.
 - Durability: 5,000 cycles
 - DIMENSIONS MARKED "▼"
TO BE CHECKED BY Q.C & IPQC.

4.PART NO.
USAF-09*N-4BLRS18
W: WHITE
B: BLACK
BL: BLUE
1:PA1
2:PA6T
3:PA9T
4:LCP
1:Au 1U*
5:Au 15U*
6:Au 30U*

Bill of materials:

NO	PARTS	MATERIAL	QTY	FINISHING	UNITS	mm	东莞市腾兴电子有限公司					
4					X. ±0.35	X.' ±2*	TITLE: USB 3.0 AF 沉板 无卷边 L=13.0mm CL=0.50mm	PART NO.: USAF-09XN-4BLRS18				
3	HOUSING	LCP+30%GF	1	UL94V-0	.X ±0.3	.X' ±1*						DR: Ricky 2017/11/8
2	SHELL	COPPER ALLOY	1	PLATED NICKEL	.XX ±0.25	.XX*		CHKD: Ricky 2017/11/8	SCALE	SHEET	REV.	CUSTOMER
1	TERMINAL	COPPER ALLOY	9	PLATED GOLD/TIN	.XXX ±0.15	.XXX*		APPD:	1:1	1/1	B	DRAWING
					THESE DRAWINGS AND SPECIFICATIONS ARE THE PROPERTY OF ACCURATE INNO TECH INC AND SHALL NOT BE REPRODUCED, COPIED OR USED IN ANY MANNER WITHOUT THE PRIOR WRITTEN CONSENT OF ACCURATE INNO TECH INC							