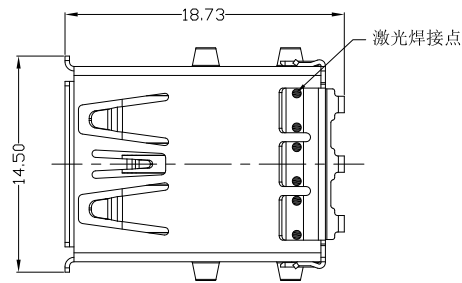




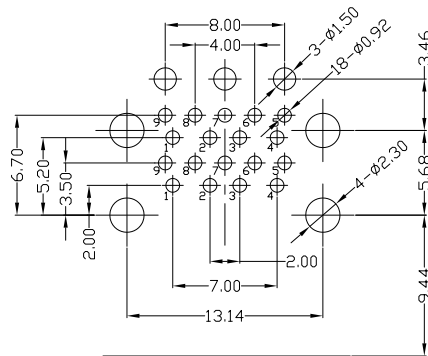
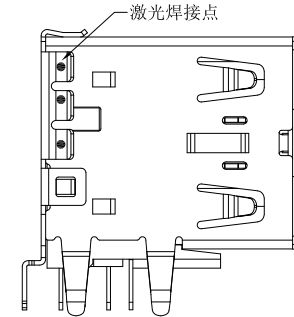
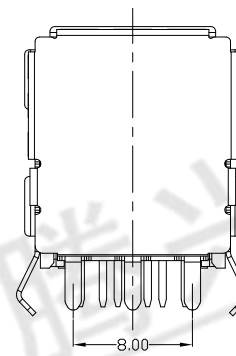
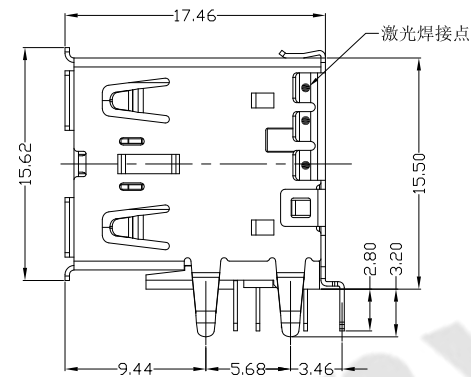
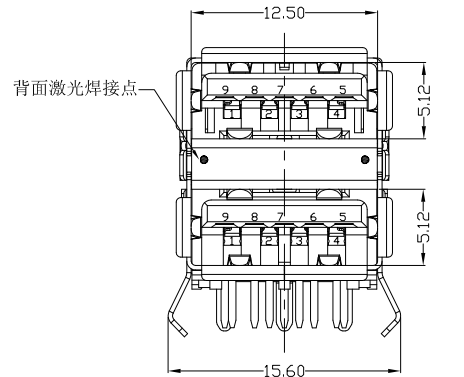
RoHS
Compliant
2002/95/EC

| REV. | ECN. | NO. | APPD. |
|------|------|-----|-------|
| | | | |
| | | | |
| | | | |

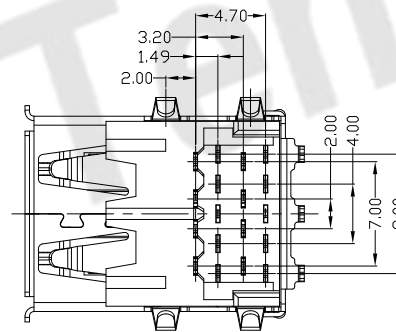


PIN ASSIGNMENT:

| PIN NO. | 1 | 2 | 3 | 4 | 5 | 6 | 7 | 8 | 9 |
|-------------|------------------|----|----|-----|------------------|------------|-----------|------------|------------|
| Signal Name | VBUS | D- | D+ | GND | STDA_SSRX- | STDA_SSRX+ | GND_DRAIN | STDA_SSTX- | STDA_SSTX+ |
| Remark | USB2 Contact Pin | | | | USB3 Contact Pin | | | | |



RECOMMEND PCB LAYOUT



NOTES:

- ELECTRICAL:
 - VOLTAGE CURRENT RATING: 1.8AMP,30V AC;
 - INSULATION RESISTANCE: 100MΩ MIN;
 - CONTACT RESISTANCE: 30mΩ MAX;
 - WITHSTANDING VOLTAGE: 100V AC;
 - OPERATING TEMPERATURE:-55°C TO +85°C.
- Mechanical:
 - Mating Force: 35N MAX
 - Unmating Force: 10N MIN.
- DIMENSIONS MARKED "▼" TO BE CHECKED BY Q.C & IPQC.

4. PART NO.

USAF-18XN-3BLRA1

1:Au 1U*
5:Au 15U*
6:Au 30U*

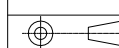
W:WHITE
B:BLACK
BL:BLUE

1:PBT
2:PA6T
3:PA9T
4:LCP

Bill of materials:

| NO | PARTS | MATERIAL | QTY | FINISHING | X. | X.* ±2' | UNITS |
|----|------------|-----------------|-----|-----------------|------------|----------|----------|
| 6 | CLIP | STAINLESS STEEL | 1 | | X. ±0.35 | X.* ±2' | mm |
| 5 | HOUSING | PA9T+30%GF | 1 | UL94V-0 | .X ±0.3 | .X.* ±1' | MAT'L |
| 4 | BACK COVER | STAINLESS STEEL | 1 | PLATED NICKEL | .XX ±0.25 | .XX* | SEE NOTE |
| 3 | SHELL | STAINLESS STEEL | 1 | PLATED NICKEL | .XXX ±0.15 | .XXX* | FINISH |
| 2 | TERMINAL | COPPER ALLOY | 10 | PLATED GOLD/TIN | | | SEE NOTE |
| 1 | TERMINAL | COPPER ALLOY | 8 | PLATED GOLD/TIN | | | Q'TY |

THESE DRAWINGS AND SPECIFICATIONS ARE THE PROPERTY OF ACCURATE INNOVATION AND SHALL NOT BE REPRODUCED, COPIED OR USED IN ANY MANNER WITHOUT THE PRIOR WRITTEN CONSENT OF ACCURATE INNOVATION INC.



东莞市腾兴电子有限公司

| | | | |
|--------|---------------------|------------------|------------------|
| TITLE: | USB AF3.0 双层90度7脚插板 | PART NO.: | USAF-18XN-3BLRA1 |
| DR: | gan 2017/3/15 | DWG NO.: | AII-RA1 |
| CHKD: | gan 2017/3/15 | SCALE | 1:1 |
| APPD: | | SHEET | 1/1 |
| | | REV. | B |
| | | CUSTOMER DRAWING | |