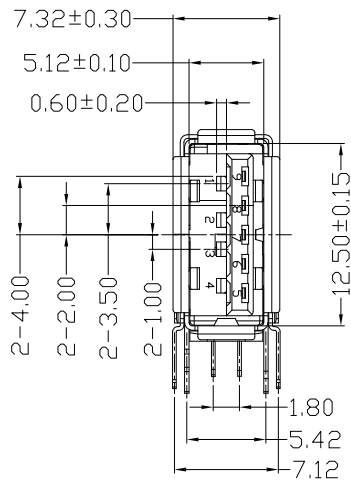
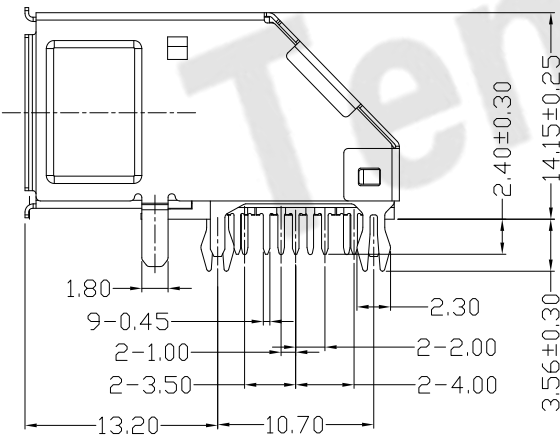
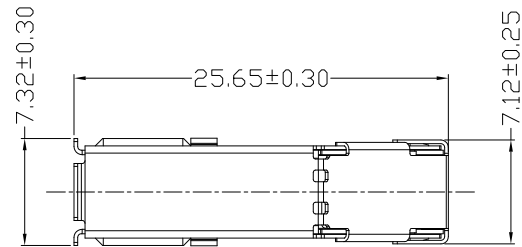
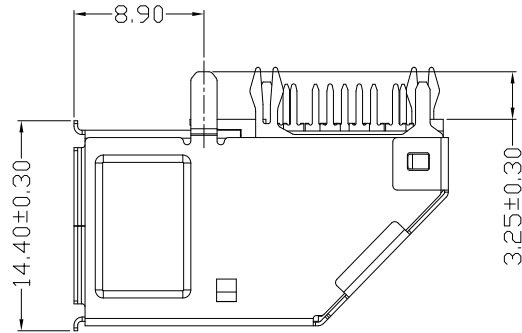


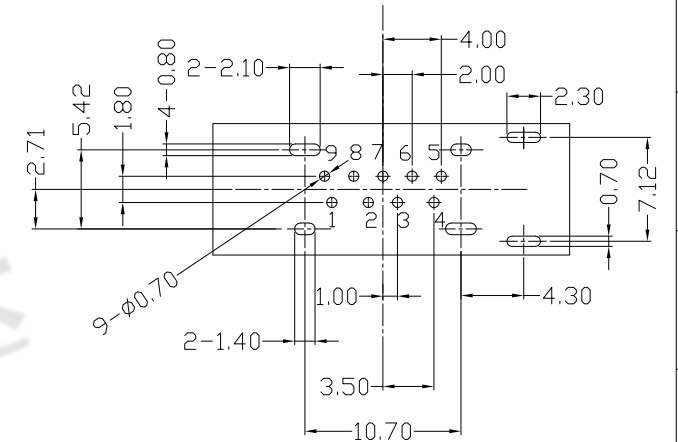
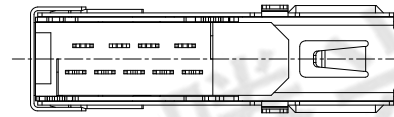


RoHS
Compliant
2002/95/EC

REV	LTR	DESCRIPTION	DATE	REVISER	APPD



PIN NUMBER	SIGNAL NAME
1	VBUS
2	D-
3	D+
4	GND
5	SSRX-
6	SSRX+
7	GND
8	SSTX-
9	SSRT+
Shell	Shield



RECOMMENDED PCB LAYOUT (TOP VIEW)

NOTES:

- ELECTRICAL:
 - VOLTAGE CURRENT RATING: 1.8AMP, 30V AC;
 - INSULATION RESISTANCE: 100MΩ MIN;
 - CONTACT RESISTANCE: 30mΩ MAX; INITIAL FOR VBUS AND GND CONTACTS. 50mΩ MAX; INITIAL FOR ALL OTHER CONTACTS.
 - WITHSTANDING VOLTAGE: 100V AC;
 - OPERATING TEMPERATURE: -55°C TO +85°C.

- Mechanical:
 - Mating Force: 35N MAX
 - Unmating Force: 10N MIN.
 - Durability: 1,500 cycles

3. DIMENSIONS MARKED "▼"
TO BE CHECKED BY Q.C & IPQC.

- PART NO.
USAF-09XN-4BLCA0-SH
1Au 1U*
5Au 15U*
6Au 30U*
W: WHITE
B: BLACK
BL: BLUE
1PBT
2PA6T
3PA9T
4LCP

Bill of materials:

NO	PARTS	MATERIAL	QTY	FINISHING	X.	X.* ±2*	UNITS
5	SHIELDING SHELL	STAINLESS STEEL	1	PLATED NICKEL	X. ±0.35	X.* ±2*	mm
4	SHELL	STAINLESS STEEL	1	PLATED NICKEL	.X ±0.3	.X* ±1*	MAT'L
3	HOUSING	LCP+30%GF	1	UL94V-0	.XX ±0.25	.XX*	SEE NOTE
2	TERMINAL	COPPER ALLOY	5	PLATED GOLD/TIN	.XXX ±0.15	.XXX*	FINISH
1	TERMINAL	COPPER ALLOY	4	PLATED GOLD/TIN			SEE NOTE
							Q'TY

THESE DRAWINGS AND SPECIFICATIONS ARE THE PROPERTY OF ACCURATE INNOTECH INC AND SHALL NOT BE REPRODUCED, COPIED OR USED IN ANY MANNER WITHOUT THE PRIOR WRITTEN CONSENT OF ACCURATE INNOTECH INC

UNITS				mm			
MAT'L				SEE NOTE			
FINISH				SEE NOTE			
Q'TY				SEE NOTE			
APPD:				SEE NOTE			

东莞市腾兴电子有限公司

TITLE:		PART NO.:	
USB AF3.0 侧插式带屏蔽壳		USAF-09XN-4BLCA0-SH	
DR:		DWG NO.:	
Ricky 2019/02/13		AIL-CA0-SH	
CHKD:		SCALE	
Ricky 2019/02/13		1:1	
APPD:		SHEET	
		1/1	
		REV.	
		B	
		CUSTOMER DRAWING	