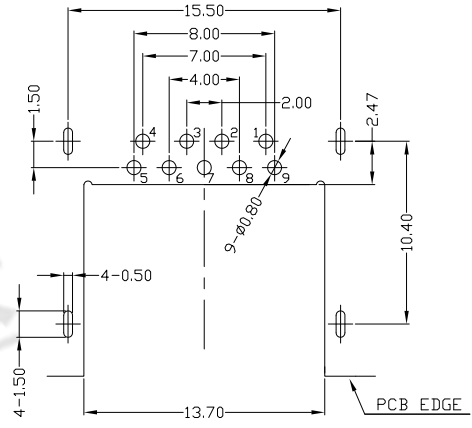
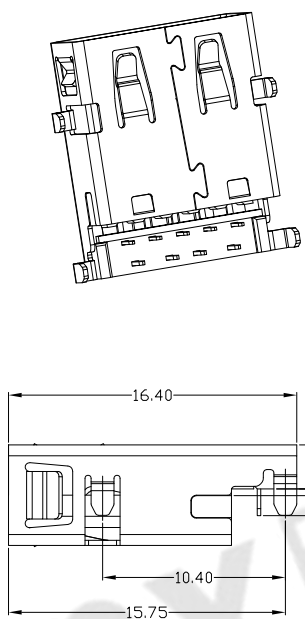
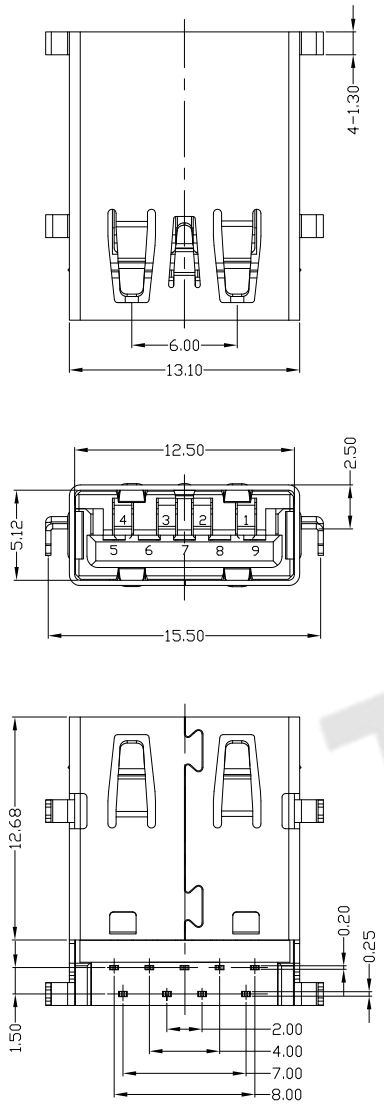


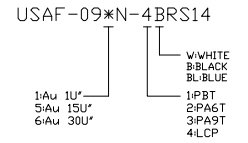
REV	LTR	DESCRIPTION	DATE	REVISER	APPD



RECOMMENDED PCB LAYOUT

- NOTES:
- ELECTRICAL:
    - VOLTAGE CURRENT RATING: 1.5AMP, 30V AC;
    - INSULATION RESISTANCE: 100MΩ MIN;
    - CONTACT RESISTANCE: 50mΩ MAX;
    - WITHSTANDING VOLTAGE: 100V AC;
    - OPERATING TEMPERATURE: -40°C TO +85°C.
  - Mechanical:
    - Mating Force: 35N MAX
    - Unmating Force: 10N MIN.
  - NOTE: 1. DIMENSIONS MARKED "▼" TO BE CHECKED BY Q.C & IPQC.

4. PART NO.



Bill of materials:

NO	PARTS	MATERIAL	QTY	FINISHING	UNITS	mm	东莞市腾兴电子有限公司				
4	HOUSING	LCP+30%GF	1	UL94V-0	X. ±0.35	X.* ±2*	TITLE: USB 3.0 AF DIP 90度 H2.5 无卷边 反向 DR: gan 2014/9/19 CHKD: gan 2014/9/19 APPD:	PART NO.:		USAF-09*N-4BRS14 AII-RS14 SCALE: 1:1 SHEET: 1/1 REV: B CUSTOMER DRAWING	
3	SHELL	COPPER ALLOY	1	PLATED NICKEL	.X ±0.3	.X.* ±1*		SEE NOTE	USAF-09*N-4BRS14		
2	TERMINAL1	COPPER ALLOY	4	PLATED GOLD/TIN	.XX ±0.25	.XX*		SEE NOTE	DWG NO.:		
1	TERMINAL2	COPPER ALLOY	5	PLATED GOLD/TIN	.XXX ±0.15	.XXX*		SEE NOTE	AII-RS14		
NO	PARTS	MATERIAL	QTY	FINISHING	THESE DRAWINGS AND SPECIFICATIONS ARE THE PROPERTY OF ACCURATE INNO TECH INC AND SHALL NOT BE REPRODUCED, COPIED OR USED IN ANY MANNER WITHOUT THE PRIOR WRITTEN CONSENT OF ACCURATE INNO TECH INC			Q'TY	SCALE: 1:1 SHEET: 1/1 REV: B CUSTOMER DRAWING		