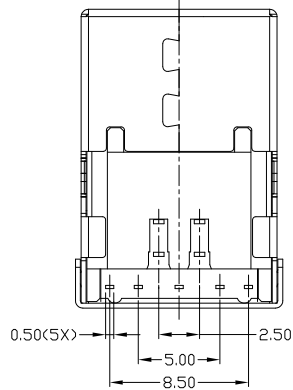
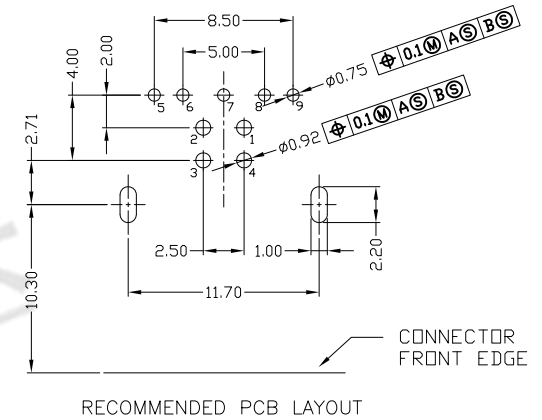
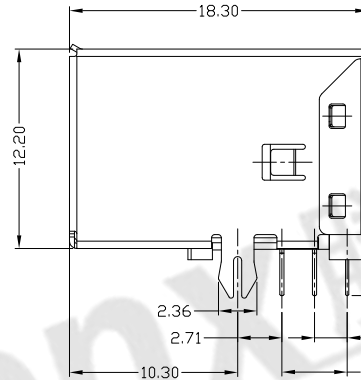
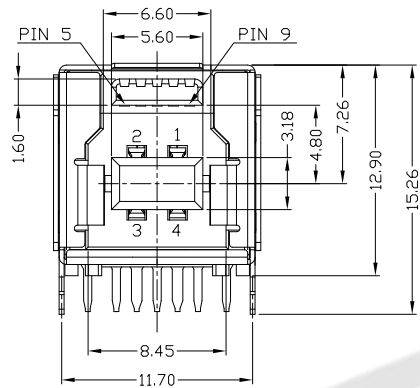
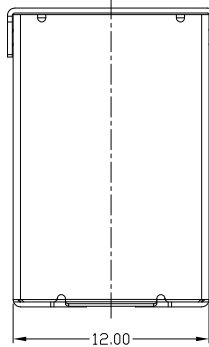




RoHS
Compliant
2002/95/EC

REV.	ECN.	NO.	APPD.

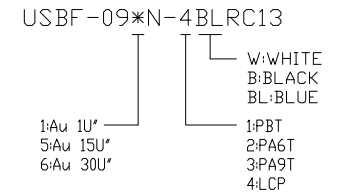
PIN NUMBER	SIGNAL NAME
1	VBUS
2	D-
3	D+
4	GND
5	STDB_SSTX-
6	STDB_SSTX+
7	GND_DRAIN
8	STDB_SSRX-
9	STDB_SSRX+
Shell	Shield



NOTES:

- ELECTRICAL:
 - CURRENT RATING: 1.5 AMP;
 - INSULATION RESISTANCE: 1000MΩ MIN;
 - CONTACT RESISTANCE: 30mΩ MAX;
 - WITHSTANDING VOLTAGE: 100V AC;
 - OPERATING TEMPERATURE: -40°C ~ +85°C.
- Mechanical:
 - Mating Force: 35N MAX
 - Unmating Force: 10N MIN.
- DIMENSIONS MARKED "▼" TO BE CHECKED BY Q.C & IPQC.

4. PART NO.



Bill of materials:

NO	PARTS	MATERIAL	QTY	FINISHING	X.	X.* ±2'	UNITS
5	HOUSING	LCP+30%GF	1	UL94V-0	X. ±0.35	X.* ±2'	mm
4	BACK COVER	COPPER ALLOY/SPCC	1	PLATED NICKEL	.X ±0.3	.X' ±1'	MAT'L
3	SHELL	COPPER ALLOY	1	PLATED NICKEL	.XX ±0.25	.XX'	SEE NOTE
2	TERMINAL(4P)	COPPER ALLOY	4	PLATED GOLD/TIN	.XXX ±0.15	.XXX'	SEE NOTE
1	TERMINAL(5P)	COPPER ALLOY	5	PLATED GOLD/TIN			FINISH
							Q'TY

THESE DRAWINGS AND SPECIFICATIONS ARE THE PROPERTY OF ACCURATE INNOVATECH INC AND SHALL NOT BE REPRODUCED, COPIED OR USED IN ANY MANNER WITHOUT THE PRIOR WRITTEN CONSENT OF ACCURATE INNOVATECH INC.

东莞市腾兴电子有限公司			
TITLE: USB3.0 BF 90° DIP 鱼叉脚 H12.9 成品图		PART NO.: USBF-09*N-4BLRC13	
DR: gan 2017/01/09		DWG NO.: AII-RC13	
CHKD: gan 2017/01/09		SCALE	SHEET
APPD:		1:1	1/1
		REV.	CUSTOMER DRAWING
		B	