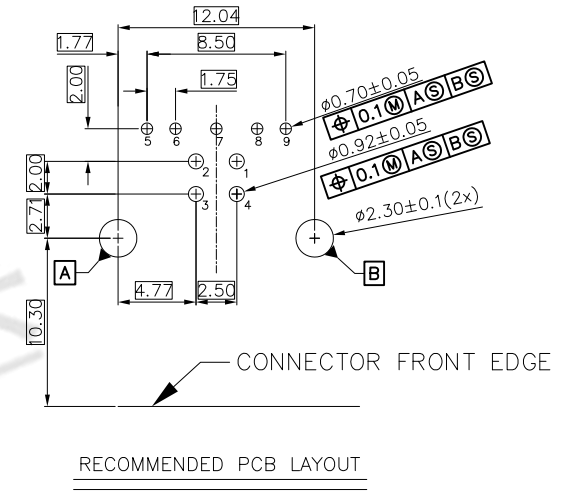
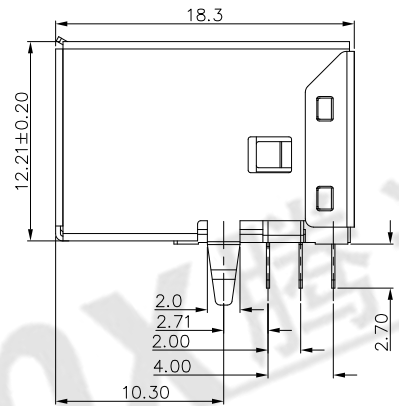
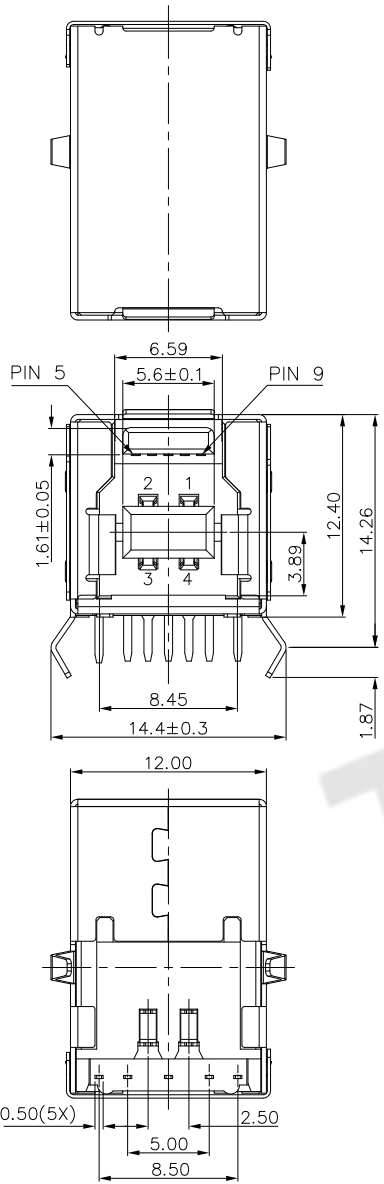




RoHS
Compliant
2002/95/EC

REV.	ECN.	NO.	APPD.

PIN NUMBER	SIGNAL NAME
1	VBUS
2	D-
3	D+
4	GND
5	STDA_SSTX-
6	STDA_SSTX+
7	GND_DRAIN
8	STDA_SSRX-
9	STDA_SSRX+
Shell	Shield



- NOTES:
- ELECTRICAL:
 - CURRENT RATING: 1.5AMP.
 - INSULATION RESISTANCE: 100MΩ MIN;
 - CONTACT RESISTANCE: 30mΩ MAX;
 - WITHSTANDING VOLTAGE: 100V AC;
 - OPERATING TEMPERATURE: -40°C TO +85°C.
 - Mechanical:
 - Mating Force: 35N MAX
 - Unmating Force: 10N MIN.
 - DIMENSIONS MARKED "▼"
TO BE CHECKED BY Q.C & IPQC.

4. PART NO.
USBF-09*N-4BLRC14

W: WHITE
B: BLACK
BL: BLUE

1: Au 1U"
5: Au 15U"
6: Au 30U"

1: PBT
2: PA6T
3: PA9T
4: LCP

Bill of materials:

NO	PARTS	MATERIAL	QTY	FINISHING	UNITS	mm
5	HOUSING	LCP+30%GF	1	UL94V-0	X. ±0.35	X.' ±2'
4	BACK COVER	COPPER ALLOY/SPCC	1	PLATED NICKEL	.X ±0.3	.X' ±1'
3	SHELL	COPPER ALLOY	1	PLATED NICKEL	.XX ±0.25	.XX'
2	TERMINAL(4P)	COPPER ALLOY	4	PLATED GOLD/TIN	.XXX ±0.15	.XXX'
1	TERMINAL(5P)	COPPER ALLOY	5	PLATED GOLD/TIN		

东莞市腾兴电子有限公司

TITLE: USB3.0 BF 90° DIP 弯脚 H12.4 PART NO.: USBF-09XN-4BLRC14

DR: Ricky 2019/02/15 DWG NO.: All-RC14

CHKD: Ricky 2019/02/15

APPD:

SCALE: 1:1 SHEET: 1/1 REV.: B CUSTOMER DRAWING

THESE DRAWINGS AND SPECIFICATIONS ARE THE PROPERTY OF ACCURATE INNOTECH INC. AND SHALL NOT BE REPRODUCED, COPIED OR USED IN ANY MANNER WITHOUT THE PRIOR WRITTEN CONSENT OF ACCURATE INNOTECH INC.

