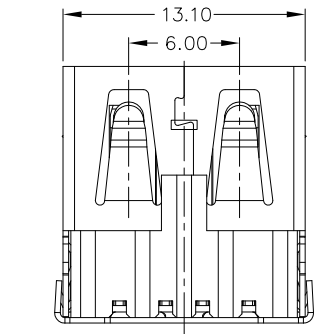
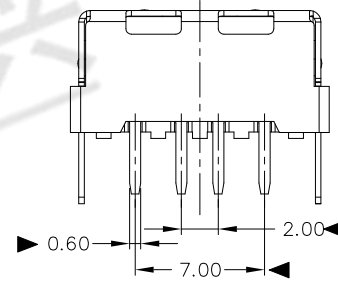
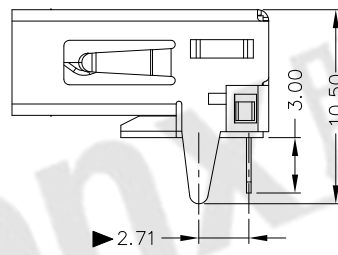
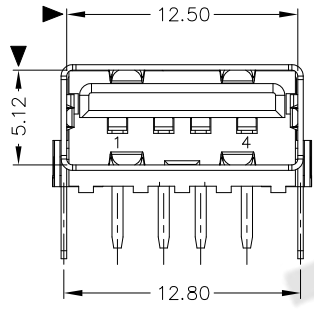
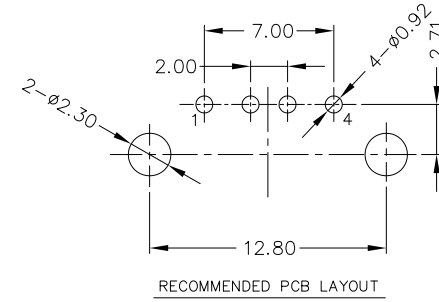
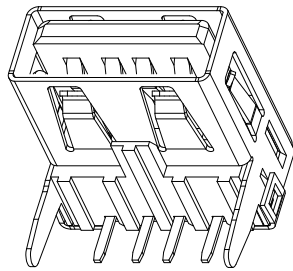
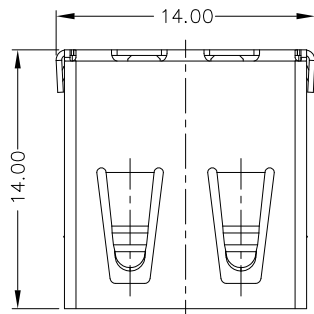




RoHS
Compliant
2002/95/EC

REV.	ECN.	NO.	APPD.



NOTES:

- ELECTRICAL:
 - VOLTAGE CURRENT RATING: 2AMP,30V AC;
 - INSULATION RESISTANCE: 1000MΩ MIN;
 - CONTACT RESISTANCE: 30mΩ MAX;
 - WITHSTANDING VOLTAGE: 500V AC;
 - OPERATING TEMPERATURE: -55°C TO +85°C .
- Mechanical:
 - Mating Force: 35N MAX
 - Unmating Force: 10N MIN.
- DIMENSIONS MARKED "▼" TO BE CHECKED BY Q.C & IPQC.

4.PART NO.

USAF-04*N-1*R68

1: Au 10U"
6: Au 30U"

W: WHITE
B: BLACK

1: PBT
2: PA6T
3: PA9T
4: LCP

Bill of materials:

E	3	HOUSING	PBT	1	UL94V-0	X. ±0.35	X.' ±2'	UNITS	mm	东莞市腾兴电子有限公司	
	2	SHELL	COPPER ALLOY	1	PLATED NICKEL	.X ±0.3	.X' ±1'	MAT'L	SEE NOTE		
	1	TERMINAL	COPPER ALLOY	4	PLATED GOLD/TIN	.XX ±0.25	.XX'	FINISH	SEE NOTE		
	NO	PARTS	MATERIAL	QTY	FINISHING	.XXX ±0.15	.XXX'	Q'TY	SEE NOTE		
<small>THESE DRAWINGS AND SPECIFICATIONS ARE THE PROPERTY OF ACCURATE INNOTECH INC AND SHALL NOT BE REPRODUCED, COPIED OR USED IN ANY MANNER WITHOUT THE PRIOR WRITTEN CONSENT OF ACCURATE INNOTECH INC.</small>										<small>DR: Ricky 2014/04/10</small> <small>CHKD: Ricky 2014/04/10</small> <small>APPD:</small>	
										<small>TITLE: USB AF DIP 90度 直脚 平口</small> <small>PART NO.: USAF-04*N-1*R68</small> <small>DRG NO.: All-R68</small> <small>SCALE: 1:1</small>	<small>SHEET: 1/1</small> <small>REV.: B</small> <small>CUSTOMER DRAWING</small>