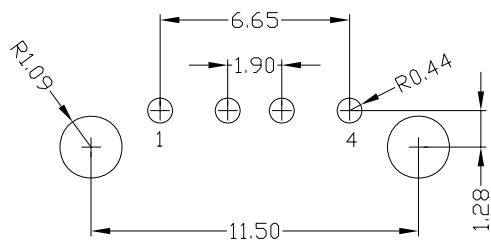
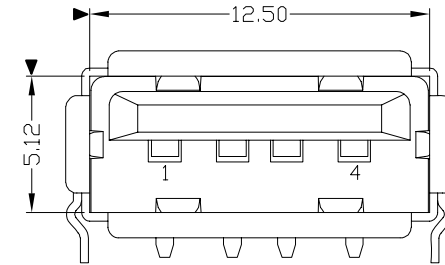
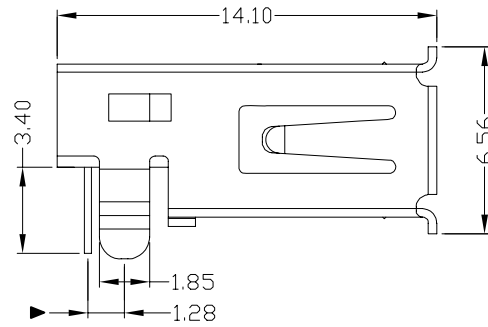
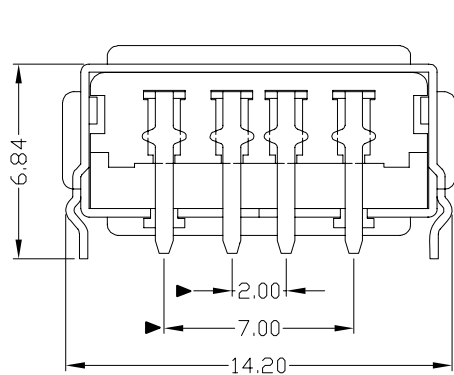


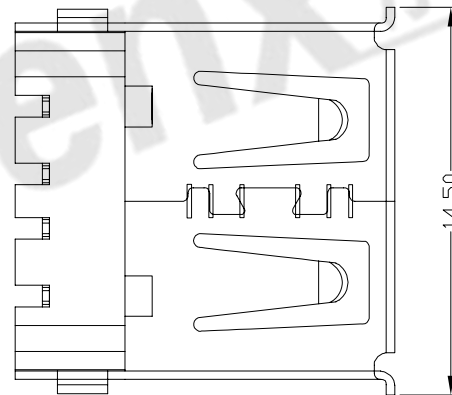


RoHS
Compliant
2002/95/EC

| REV | LTR | DESCRIPTION | DATE | REVISER | APPD |
|-----|-----|-------------|------|---------|------|
| | | | | | |



RECOMMENDED PCB LAYOUT



NOTES:

1. ELECTRICAL:

- 1) VOLTAGE CURRENT RATING: 2AMP, 30V AC;
- 2) INSULATION RESISTANCE: 100MΩ MIN;
- 3) CONTACT RESISTANCE: 50mΩ MAX;
- 4) WITHSTANDING VOLTAGE: 300V AC;
- 5) OPERATING TEMPERATURE: -55°C TO +85°C.

2. Mechanical:

- 1) Mating Force: 35N MAX
- 2) Unmating Force: 10N MIN.

3. DIMENSIONS MARKED "▼" TO BE CHECKED BY Q.C & IPQC.

4. PART NO.

USAF-04*N-1*R84

1:Au 1U*
6:Au 30U*
W:WHITE
B:BLACK
1:PBT
2:PA6T
3:PA9T
4:LCPT

Bill of materials:

| NO | PARTS | MATERIAL | QTY | FINISHING | UNITS | mm | 东莞市腾兴电子有限公司 | | | | | | |
|----|----------|--------------|-----|-----------------|---|---------|-------------|------------------------|--|-----------------|-------|------|------------------|
| 3 | HOUSING | PBT | 1 | UL94V-0 | X. ±0.35 | X.* ±2* | SEE NOTE | TITLE: | | PART NO.: | | | |
| 2 | SHELL | COPPER ALLOY | 1 | PLATED NICKEL | .XX ±0.3 | .X* ±1* | | USB A/F 90° DIP 沉板(3E) | | USAF-04*N-1*R84 | | | |
| 1 | TERMINAL | COPPER ALLOY | 4 | PALTED GOLD/TIN | .XXX ±0.15 | .XXX* | SEE NOTE | DR: gan 2012/07/03 | | DWG NO.: | | | |
| | | | | | THESE DRAWINGS AND SPECIFICATIONS ARE THE PROPERTY OF ACCURATE INNTECH INC AND SHALL NOT BE REPRODUCED, COPIED OR USED IN ANY MANNER WITHOUT THE PRIOR WRITTEN CONSENT OF ACCURATE INNTECH INC. | | SEE NOTE | CHKD: gan 2012/07/03 | | AII-R84 | | | |
| | | | | | | | Q'TY | APPD: | | SCALE | SHEET | REV. | CUSTOMER DRAWING |
| | | | | | | | | | | 1:1 | 1/1 | B | |