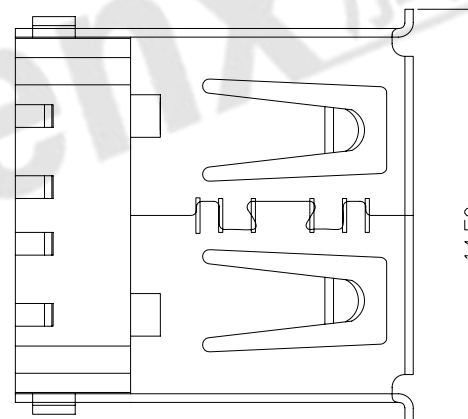
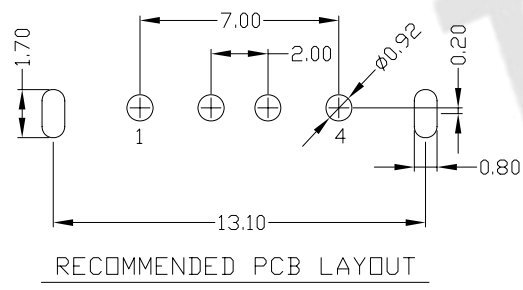
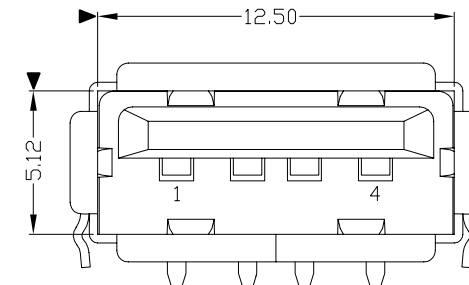
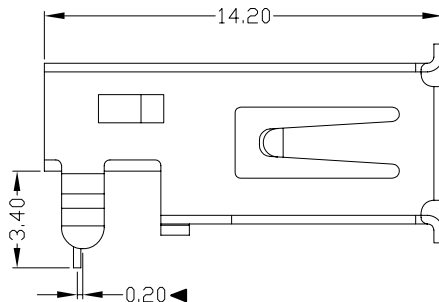
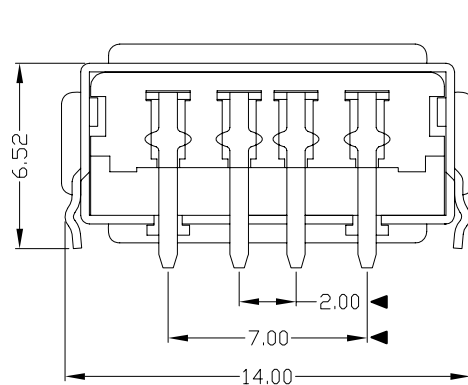




RoHS
Compliant
2002/95/EC

| REV. | ECN. | NO. | APPD. |
|------|------|-----|-------|
| | | | |
| | | | |
| | | | |



NOTES:

1. ELECTRICAL:

- 1) VOLTAGE CURRENT RATING: 2AMP,30V AC;
- 2) INSULATION RESISTANCE: 1000MΩ MIN;
- 3) CONTACT RESISTANCE: 30mΩ MAX;
- 4) WITHSTANDING VOLTAGE: 500V AC;
- 5) OPERATING TEMPERATURE:-55°C TO +85°C.

2. Mechanical:

- 1) Mating Force: 35N MAX
- 2) Unmating Force: 10N MIN.

3. DIMENSIONS MARKED "▼" TO BE CHECKED BY Q.C & IPQC.

4.PART NO.

USAF-04*N-1*R86

1:Au 1U*
6:Au 30U*

W:WHITE
B:BLACK
1:PBT
2:PA6T
3:PA9T
4:LCP

Bill of materials:

| NO | PARTS | MATERIAL | QTY | FINISHING | X. ±0.35 | X.* ±2* | UNITS | mm | |
|----|----------|--------------|-----|-----------------|--|---------|----------|------|--|
| 3 | HOUSING | PBT | 1 | UL94V-0 | .X ±0.3 | .X* ±1* | MAT'L | | |
| 2 | SHELL | COPPER ALLOY | 1 | PLATED NICKEL | .XX ±0.25 | .XX* | SEE NOTE | | |
| 1 | TERMINAL | COPPER ALLOY | 4 | PLATED GOLD/TIN | .XXX ±0.15 | .XXX* | FINISH | | |
| | | | | | <small>THESE DRAWINGS AND SPECIFICATIONS ARE THE PROPERTY OF ACCURATE INNDTECH INC AND SHALL NOT BE REPRODUCED, COPIED OR USED IN ANY MANNER WITHOUT THE PRIOR WRITTEN CONSENT OF ACCURATE INNDTECH INC.</small> | | | Q'TY | |
| | | | | | | | | | |

东莞市腾兴电子有限公司

TITLE:
USB AF 90° 沉板(改脚)
DR: gan 2012/7/03
CHKD: gan 2012/7/03
APPD:

PART NO.:
USAF-04*N-1*R86
DWG NO.:
AII-R86
SCALE: 1:1
SHEET: 1/1
REV.: B

CUSTOMER
DRAWING