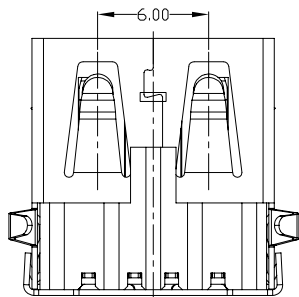
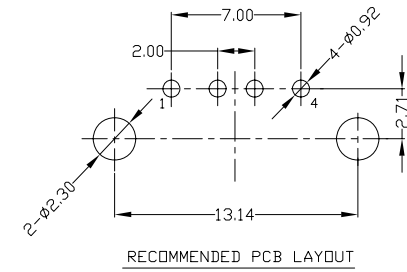
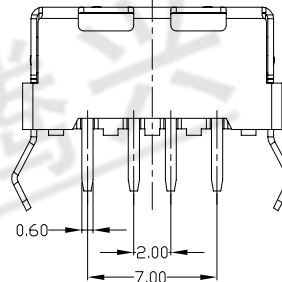
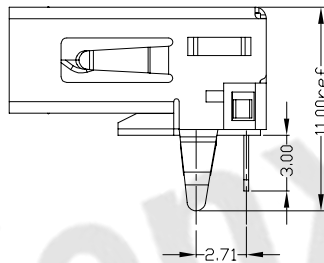
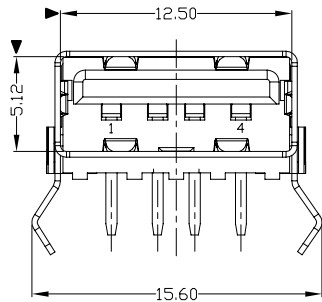
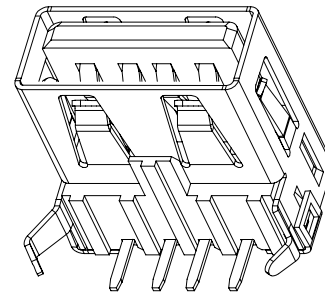
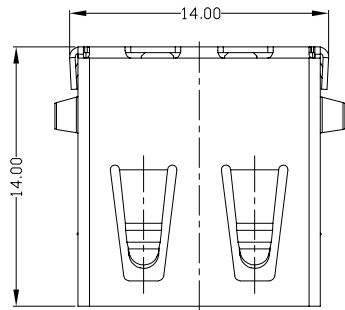




RoHS
Compliant
2002/95/EC

| REV. | ECN. | NO. | APPD. |
|------|------|-----|-------|
| | | | |
| | | | |



NOTES:

- ELECTRICAL:
 - VOLTAGE CURRENT RATING: 2AMP,30V AC;
 - INSULATION RESISTANCE: 1000MΩ MIN;
 - CONTACT RESISTANCE: 30mΩ MAX;
 - WITHSTANDING VOLTAGE: 500V AC;
 - OPERATING TEMPERATURE:-55°C TO +85°C.
- Mechanical:
 - Mating Force: 35N MAX
 - Unmating Force: 10N MIN.
- DIMENSIONS MARKED "▼" TO BE CHECKED BY Q.C & IPQC.

4.PART NO.

USAF-04*N-1*R604

1:Au 1U"
6:Au 30U"

W:WHITE
B:BLACK

1:PBT
2:PA6T
3:PA9T
4:LCP

Bill of materials:

| NO | PARTS | MATERIAL | QTY | FINISHING | UNITS | mm | 东莞市腾兴电子有限公司 | | | | | | |
|---|----------|--------------|-----|-----------------|------------|---------|-------------|---------------------|--|------------------|-------|------|------------------|
| 3 | HOUSING | PBT | 1 | UL94V-0 | X. ±0.35 | X.* ±2* | MAT'L | TITLE: | | PART NO.: | | | |
| 2 | SHELL | COPPER ALLOY | 1 | PLATED NICKEL | .X ±0.3 | .X* ±1* | SEE NOTE | USB AF DIP 90度 平口 | | USAF-04*N-1*R604 | | | |
| 1 | TERMINAL | COPPER ALLOY | 4 | PLATED GOLD/TIN | .XXX ±0.15 | .XXX* | FINISH | DR: gan 2012/6/29 | | DWG NO.: | | | |
| THESE DRAWINGS AND SPECIFICATIONS ARE THE PROPERTY OF ACCURATE INNOVATECH INC AND SHALL NOT BE REPRODUCED, COPIED OR USED IN ANY MANNER WITHOUT THE PRIOR WRITTEN CONSENT OF ACCURATE INNOVATECH INC. | | | | | | | SEE NOTE | CHKD: gan 2012/6/29 | | AII-R604 | | | |
| | | | | | | | Q'TY | APPD: | | SCALE | SHEET | REV. | CUSTOMER DRAWING |
| | | | | | | | | | | 1:1 | 1/1 | B | |