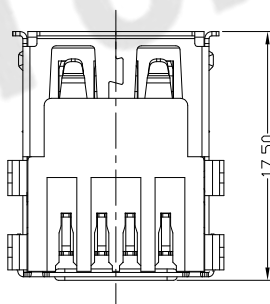
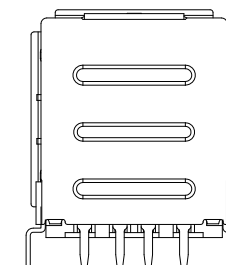
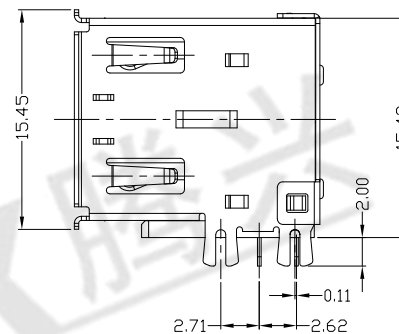
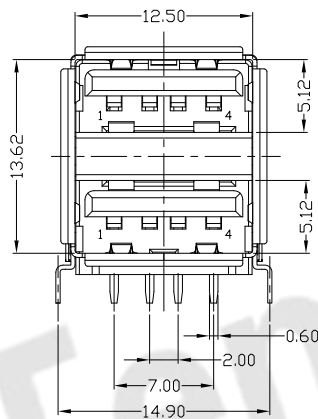
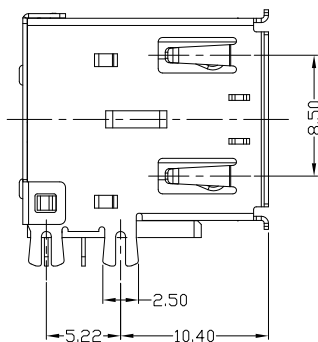
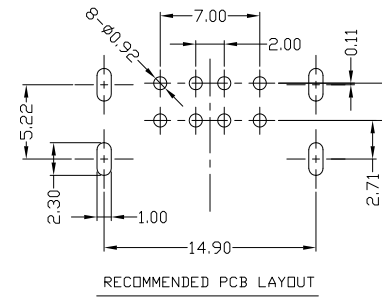
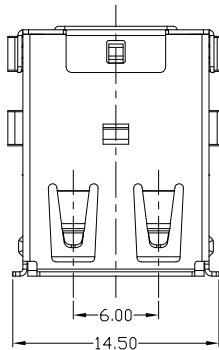




RoHS
Compliant
2002/95/EC

REV.	ECN. NO.	APPD.



NOTES:

- ELECTRICAL:
 - VOLTAGE CURRENT RATING: 2AMP,30V AC;
 - INSULATION RESISTANCE: 1000MΩ MIN;
 - CONTACT RESISTANCE: 30mΩ MAX;
 - WITHSTANDING VOLTAGE: 500V AC;
 - OPERATING TEMPERATURE:-55°C TO +85°C.
- Mechanical:
 - Mating Force: 35N MAX
 - Unmating Force: 10N MIN.
- DIMENSIONS MARKED "▼" TO BE CHECKED BY Q.C & IPQC.

4.PART NO.

USAF-08*N-4*R605

1:Au 1U'
6:Au 30U'

W:WHITE
B:BLACK
1:PBT
2:PA6T
3:PA9T
4:LCP

Bill of materials:

NO	PARTS	MATERIAL	QTY	FINISHING	X	X'	UNITS
5	CLIP	STAINLESS STEEL	1	PLATED NICKEL	X. ±0.35	X.' ±2'	mm
4	BACK COVER	SPCC	1	PLATED NICKEL	.X ±0.3	.X' ±1'	MAT'L
3	HOUSING	LCP+30%GF	1	UL94V-0	.XX ±0.25	.XX'	SEE NOTE
2	SHELL	COPPER ALLOY	1	PLATED NICKEL	.XXX ±0.15	.XXX'	SEE NOTE
1	TERMINAL	COPPER ALLOY	8	PLATED GOLD/TIN	THESE DRAWINGS AND SPECIFICATIONS ARE THE PROPERTY OF ACCURATE INNTECH INC AND SHALL NOT BE REPRODUCED, COPIED OR USED IN ANY MANNER WITHOUT THE PRIOR WRITTEN CONSENT OF ACCURATE INNTECH INC.		
							Q'TY

东莞市腾兴电子有限公司

TITLE: USB AF 双层半包 长胶平弹鱼叉脚	PART NO.: USAF-08*N-4*R605
DR: gan 2017/7/25	DWG NO.: AII-R605
CHKD: gan 2017/7/25	SCALE SHEET REV. CUSTOMER DRAWING
APPD:	1:1 1/1 B