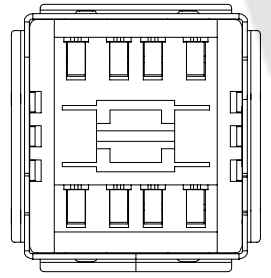
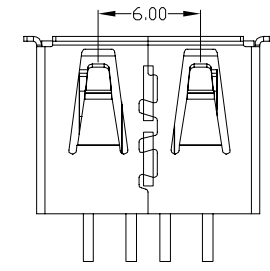
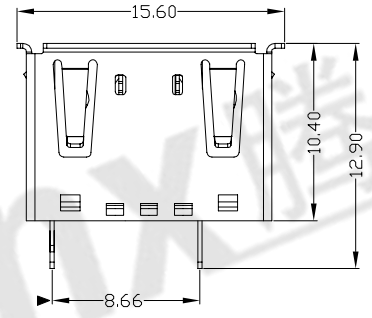
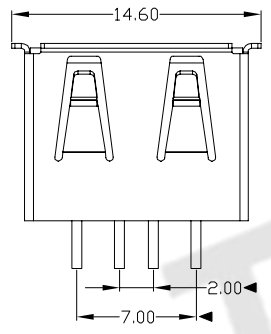
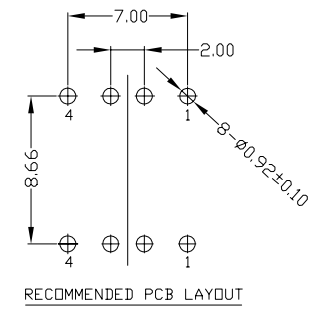
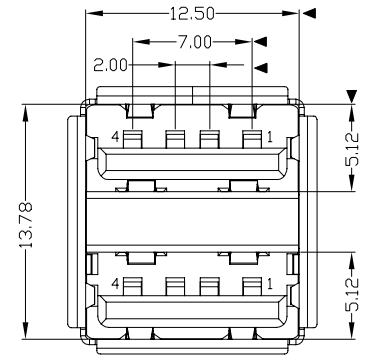


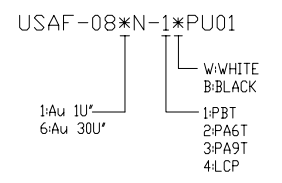
REV	LTR	DESCRIPTION	DATE	REVISER	APPD



NOTES:

- ELECTRICAL:
 - VOLTAGE CURRENT RATING: 2AMP, 30V AC;
 - INSULATION RESISTANCE: 1000MΩ MIN;
 - CONTACT RESISTANCE: 30mΩ MAX;
 - WITHSTANDING VOLTAGE: 500V AC;
 - OPERATING TEMPERATURE: -55°C TO +85°C.
- Mechanical:
 - Mating Force: 35N MAX
 - Unmating Force: 10N MIN.
- NOTE: 1. DIMENSIONS MARKED "▼" TO BE CHECKED BY Q.C & IPQC.

4. PART NO.



Bill of materials:

NO	PARTS	MATERIAL	QTY	FINISHING				
4	CLIP	SPCC	1	PLATED NICKEL	X. ±0.35	X.' ±2'	UNITS	mm
3	HOUSING	PBT	1	UL94V-0	.X ±0.3	.X' ±1'	MAT'L	SEE NOTE
2	SHELL	SPCC	1	PLATED NICKEL	.XX ±0.25	.XX'	FINISH	SEE NOTE
1	TERMINAL	COPPER ALLOY	8	PLATED GOLD/TIN	.XXX ±0.15	.XXX'	Q'TY	SEE NOTE
					<small>THESE DRAWINGS AND SPECIFICATIONS ARE THE PROPERTY OF ACCURATE INNOTECH INC AND SHALL NOT BE REPRODUCED, COPIED OR USED IN ANY MANNER WITHOUT THE PRIOR WRITTEN CONSENT OF ACCURATE INNOTECH INC.</small>			

东莞市腾兴电子有限公司

TITLE:	USB AF 双层180无弹(无脚)成品	PART NO.:	USAF-08*N-1*PU01
DR:	gan 2012/7/05	DWG NO.:	AII-PU01
CHKD:	gan 2012/7/05	SCALE	1:1
APPD:		SHEET	1/1
		REV.	B
		CUSTOMER DRAWING	