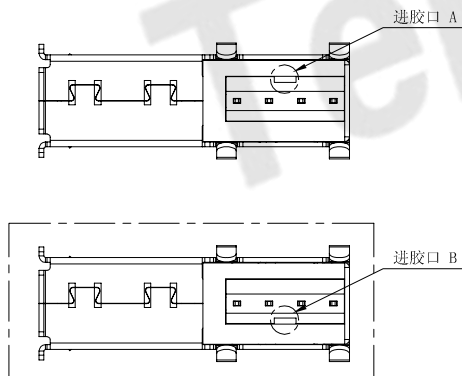
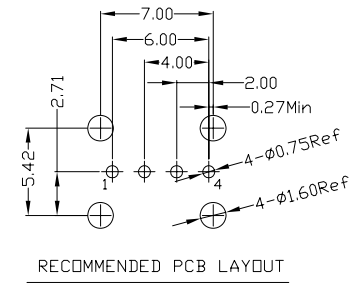
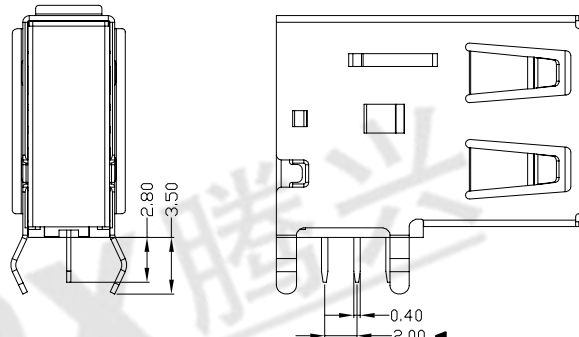
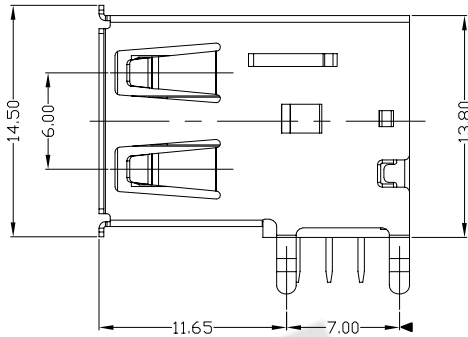
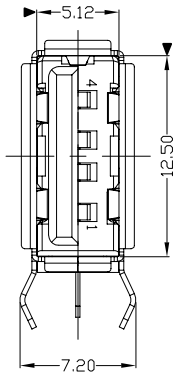
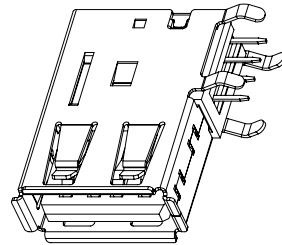
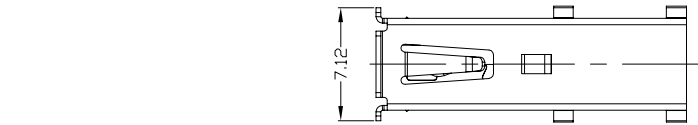




RoHS  
Compliant  
2002/95/EC

REV.	ECN. NO.	APPD.



NOTES:

- ELECTRICAL:
  - VOLTAGE CURRENT RATING: 2AMP, 30V AC;
  - INSULATION RESISTANCE: 1000Ω MIN;
  - CONTACT RESISTANCE: 30mΩ MAX;
  - WITHSTANDING VOLTAGE: 500V AC;
  - OPERATING TEMPERATURE: -55°C TO +85°C.
- Mechanical:
  - Mating Force: 35N MAX
  - Unmating Force: 10N MIN.
- DIMENSIONS MARKED "▼" TO BE CHECKED BY Q.C & IPQC.

4. PART NO.

USA-F-04\*N-1\*CA0  
 1: Au 1U"  
 6: Au 30U"  
 W: WHITE  
 B: BLACK  
 1: PBT  
 2: PA6T  
 3: PA9T  
 4: LCP

Bill of materials:

NO	PARTS	MATERIAL	QTY	FINISHING
5	BACK COVER	SPCC	1	PLATED NICKEL
4	BOTTOM COVER	PBT	1	UL94V-0
3	HOUSING	PBT	1	UL94V-0
2	SHELL	COPPER ALLOY	1	PLATED NICKEL
1	TERMINAL	COPPER ALLOY	4	PLATED GOLD/TIN

X	Y	UNITS
X. ±0.35	X.' ±2'	mm
.X ±0.3	.X' ±1'	MAT'L
.XX ±0.25	.XX'	SEE NOTE
.XXX ±0.15	.XXX'	FINISH
<small>THESE DRAWINGS AND SPECIFICATIONS ARE THE PROPERTY OF ACCURATE INNOTECH AND SHALL NOT BE REPRODUCED, COPIED OR USED IN ANY MANNER WITHOUT THE PRIOR WRITTEN CONSENT OF ACCURATE INNOTECH INC</small>		Q'TY

<b>东莞市腾兴电子有限公司</b>			
TITLE: USB AF 侧插长体		PART NO.: USAF-04*N-1*CA0	
DR: gan 2012/7/05		DWG NO.: AII-CA0	
CHKD: gan 2012/7/05		SCALE: 1:1	SHEET: 1/1
APPD:		REV.: B	CUSTOMER DRAWING