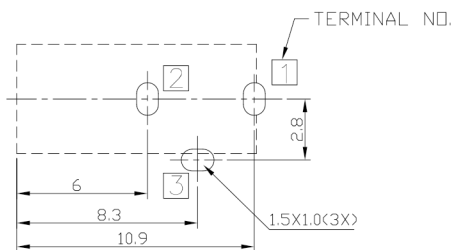
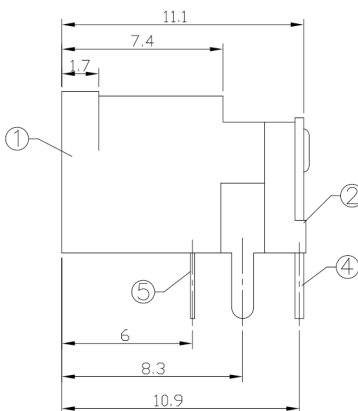
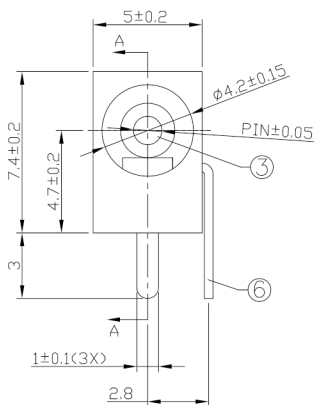




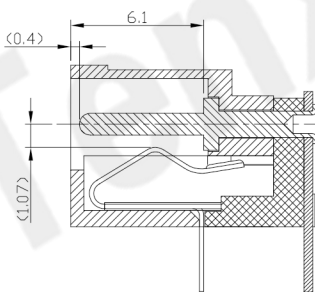
RoHS Compliant  
2002/95/EC

REV.	ECN.	NO.	APPD.

### DIMENSIONS



RECOMMENDED P.C.B. LAYOUT  
UNSPECIFIED TOLERANCE:±0.05  
(TOP VIEW)



SECTION A-A

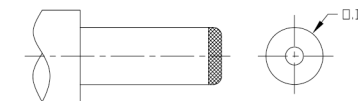
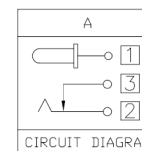
### MODEL CODE:

DCB0-00020- A □ PB BK S 0 4

- (1) (2) (3)(4) (5) (6) (7)(8) (9)
- (1):Series type:DIP DC POWER JACK.
  - (2):Series No.
  - (3):Schematic option: A
  - (4):Center pin diameter:  
A=φ0.65 , C=φ1.0 , E=φ1.3
  - (5):Material of housing:  
PB=PBT ,9T=PA9T
  - (6):Housing color:  
BK=Black (Standard)  
8A=Grey (Pantone 428C)  
9A=White (XH1013 PBT)
  - (7):Terminal plating  
S=Silver(Ag)
  - (8):Special option:  
0=No special opion
  - (9):Packing mode:  
4=Bag packing

### Specification:

- 1.Rating : DC 30V 1A.
- 2.Contact resistance: ≤50mΩ  
After test:≤100mΩ
- 3.Insulation resistance: ≥100MΩ (500VDC).  
After test:≥50MΩ
- 4.Withstanding voltage: 500VAC.
- 5.Insertion and extraction force: 3N~30N.
- 6.Life test: 5000 cycles min.
- 7.Operation temperature range:-20°C~70°C
- 8.Preservative temperature range:-40°C~85°C



DC MATE PLUG

Model No.	A	C	E
CENTER PIN	φ0.65	φ1.0	φ1.3
DC PLUG O.D.	φ2.35	φ3.5	φ3.5

○: ITEM NO. □: TERMINAL NO.

⑥	Shunt terminal ③	Brass t=0.4	1	Silver Plating	TOLERANCE	ANGLES	UNITS	mm
⑤	Tip spring ②	Stainless steel t=0.2	1	Silver Plating	±0.3	±2°	MAT'L	SEE NOTE
④	Center pin terminal ①	Brass t=0.4	1	Silver Plating			FINISH	SEE NOTE
③	Center pin ①	Copper alloy	1	CuSn Plating			Q'TY	
②	Cover	PBT/PA9T	1	Silver Plating				
①	Housing	PBT/PA9T	1	Black				
NO.	PARTS	MATERIAL	Q'TY	FINISHING				

THESE DRAWINGS AND SPECIFICATIONS ARE THE PROPERTY OF ACCURATE INNOVATECH INC AND SHALL NOT BE REPRODUCED, COPIED OR USED IN ANY MANNER WITHOUT THE PRIOR WRITTEN CONSENT OF ACCURATE INNOVATECH INC.



东莞市腾兴电子有限公司

TITLE:	DIP DC POWER JACK	PART NO.:	DCB0-00020
DR:	Ricky 2019/03/04	DWG NO.:	AB0-00020
CHKD:	Ricky 2019/03/04	SCALE	SHEET
APPD:		1:1	1/1
		REV.	A
		CUSTOMER DRAWING	