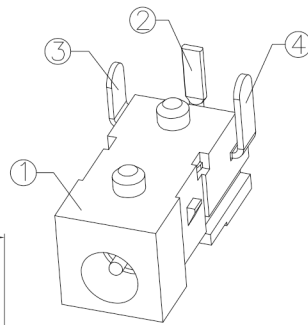
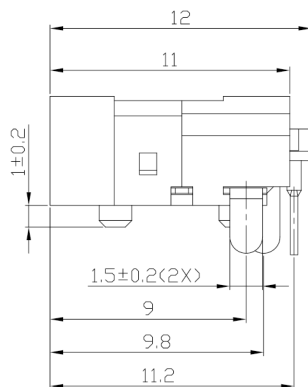
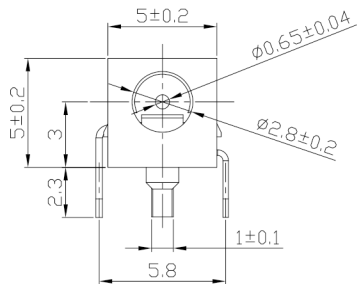




RoHS
Compliant
2002/95/EC

REV.	ECN.	NO.	APPD.

DIMENSIONS



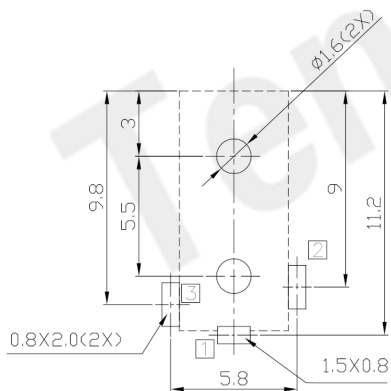
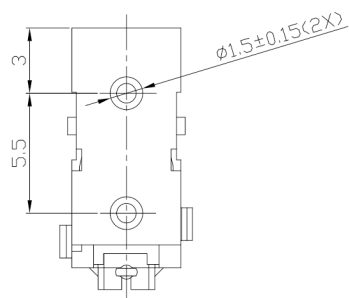
MODEL CODE:

DCB0-00110- A A PB BK S 0 4

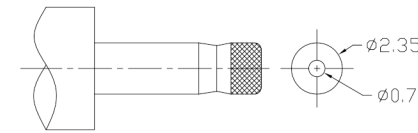
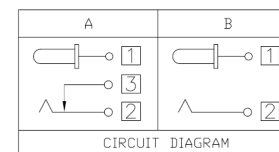
- (1) Series type: DIP DC POWER JACK.
- (2) Series No.
- (3) Schematic option: A , B
- (4) Center pin diameter:
A=φ0.65
- (5) Material of housing:
PB=PBT (Standard)
- (6) Housing color:
BK=Black
- (7) Terminal plating
S=Silver(Ag)
- (8) Special option:
0=No special option
- (9) Packing mode:
4=Bag packing

SPECIFICATION

- 1. Rating : DC 12V 2A;
- 2. Contact resistance: ≤30mΩ;
After test: ≤50mΩ
- 3. Insulation resistance: ≥100MΩ (500VDC);
After test: ≥50MΩ
- 4. Withstand voltage: 500VAC ;
- 5. Insertion and extraction force: 3N-30N;
- 6. Life test: 5,000 cycles;
- 7. Operation temperature range: -20°C~70°C;
- 8. Preservative temperature range: -40°C~85°C;



RECOMMENDED P.C.B. LAYOUT
UNSPECIFIED TOLERANCE: ±0.05
(BOTTOM VIEW)



DC MATE PLUG

○: ITEM NO. □: TERMINAL NO.

					TOLERANCE	ANGLES	UNITS	东莞市腾兴电子有限公司					
					±0.3	±2°	mm						
④	Shunt terminal	③	Brass t=0.3	1	Silver Plating		MAT'L	TITLE: DIP DC POWER JACK		PART NO.: DCB0-00110			
③	Tip spring	②	Beryllium bronze t=0.25	1	Silver Plating		SEE NOTE	DR: Ricky 2019/03/07		DWG NO.: AB0-00110			
②	Center pin	①	Bronze	1	Silver Plating		FINISH	CHKD: Ricky 2019/03/07		SCALE SHEET REV. CUSTOMER			
①	Housing		PBT	1	Black		Q'TY	APPD:		1:1	1/1	A	DRAWING
NO.	PARTS		MATERIAL	Q'TY	FINISHING	<small>THESE DRAWINGS AND SPECIFICATIONS ARE THE PROPERTY OF ACCURATE INNO TECH INC AND SHALL NOT BE REPRODUCED, COPIED OR USED IN ANY MANNER WITHOUT THE PRIOR WRITTEN CONSENT OF ACCURATE INNO TECH INC.</small>							