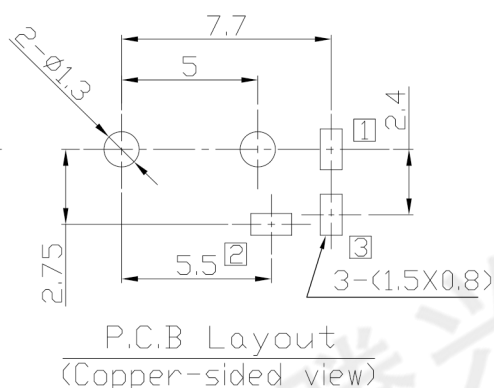
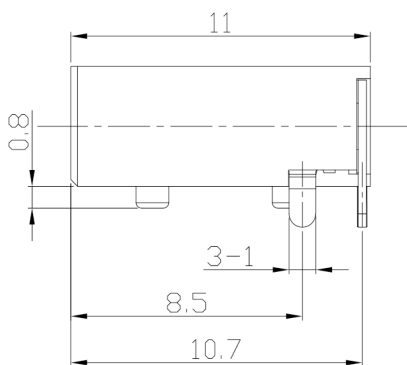
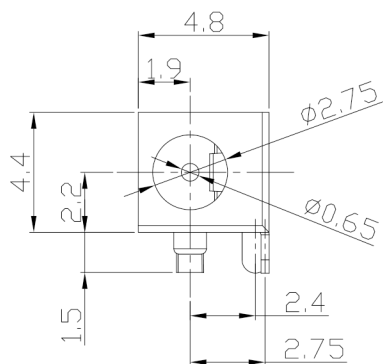




RoHS
Compliant
2002/95/EC

REV.	ECN.	NO.	APPD.

DIMENSIONS

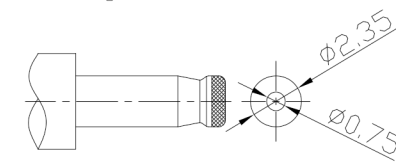
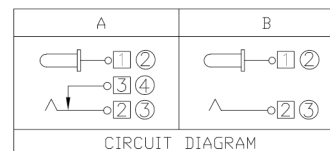
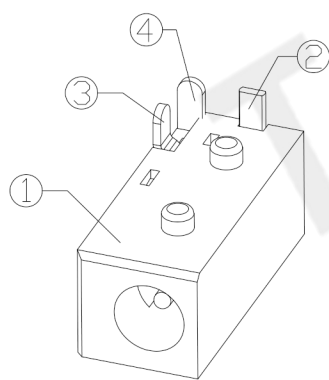
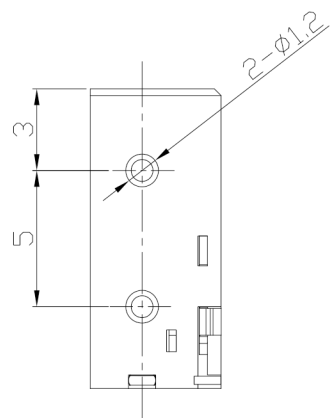


MODEL CODE:

DCB0-00930- A A PB BK S 0 4
 (1) (2) (3)(4) (5) (6) (7)(8) (9)
 (1):Series type:DIP DC POWER JACK.
 (2):Series No.
 (3):Schematic option: A , B
 (4):Center pin diameter:
 A=0.65
 (5):Material of housing:
 PB=PBT (Standard)
 (6):Housing color:
 BK=Black (Standard)
 (7):Terminal plating
 S=Silver(Ag)
 (8):Special option:
 0=No special option
 (9):Packing mode:
 4=Bag packing

SPECIFICATION:

- 1.Rating : DC 30V 0.5A;
- 2.Contact resistance: $\leq 30m\Omega$;
- 3.Insulation resistance: $\geq 100M\Omega$ (DC500V);
- 4.Withstand voltage: 500VAC ;
- 5.Insertion and extraction force: 3-30N;
- 6.life test: 5,000 cycles;
- 7.□peration temperature range:-20°C~70°C;
- 8.Preservative temperature range:-40°C~85°C;



○: ITEM NO. □: TERMINAL NO.

NO.	PARTS	MATERIAL	Q'TY	FINISHING	TOLERANCE	ANGLES	UNITS	mm
④	Shunt terminal	Brass t=0.3	1	Ag-Plating	±0.3	±2'	SEE NOTE	MAT'L
③	Tip spring	Bronze t=0.3	1	Ag-Plating				
②	Center pin	Bronze	1	Ag-Plating				
①	Housing	PBT UL94V-0	1				Q'TY	
					THESE DRAWINGS AND SPECIFICATIONS ARE THE PROPERTY OF ACCURATE INNOTECH INC AND SHALL NOT BE REPRODUCED, COPIED OR USED IN ANY MANNER WITHOUT THE PRIOR WRITTEN CONSENT OF ACCURATE INNOTECH INC.			

东莞市腾兴电子有限公司

TITLE: DIP DC POWER JACK	PART NO.: DCB0-00930
DR: Ricky 2019/05/03	DWG NO.: AB0-00930
CHKD: Ricky 2019/05/03	SCALE SHEET REV. CUSTOMER DRAWING
APPD:	1:1 1/1 A