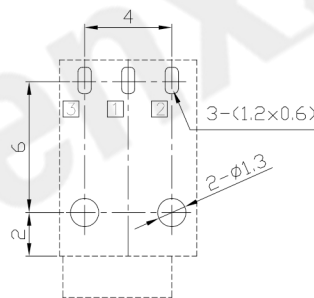
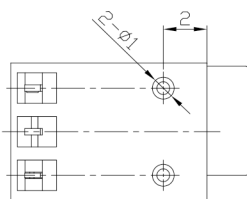
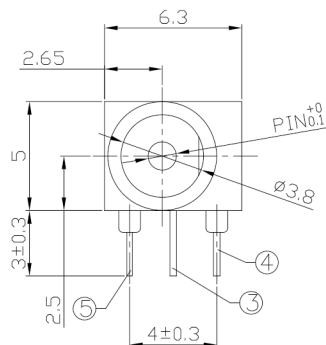
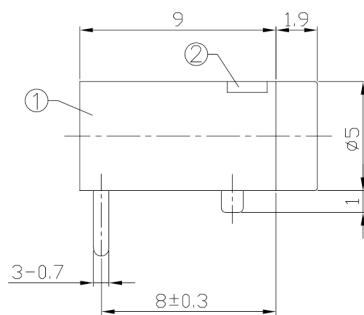




RoHS
Compliant
2002/95/EC

REV.	ECN.	NO.	APPD.

DIMENSIONS



RECOMMENDED P.C.B. LAYOUT
UNSPECIFIED TOLERANCE:±0.05
(COPPER-SIDED VIEW)

MODEL CODE:

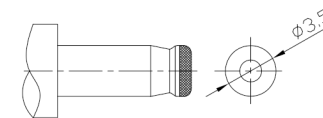
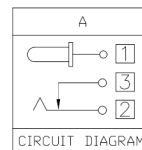
DCB0-0003A- A □ 66 BK S 0 4

(1) (2) (3)(4) (5) (6) (7)(8) (9)

- (1):Series type:DIP DC POWER JACK.
- (2):Series No.
- (3):Schematic option: A
- (4):Center pin diameter:
C=Ø1.0 , E=Ø1.3
- (5):Material of housing:
PB=PBT , 66=PA66
- (6):Housing color:
BK=Black
- (7):Terminal plating
S=Silver(Ag)
- (8):Special option:
0=No special option
- (9):Packing mode:
3:Plastic box packing
4=Bag packing

Specification:

- 1.Rating :DC 20V 2A.
- 2.Contact resistance :≤50mΩ
After test:≤100mΩ
- 3.Insulation resistance :≥100MΩ (500VDC).
After test:≥50MΩ
- 4.Withstanding voltage: 500VAC .
- 5.Insertion and extraction force: 3N~30N.
- 6.life test: 5000cycles min.
- 7.Operation temperature range:-20℃~70℃.
- 8.Preservative temperature range:-40℃~85℃.



DC MATE PLUG

Model No.	C	E
CENTER PIN	Ø1.0	Ø1.3

○: ITEM NO. □: TERMINAL NO.

NO.	PARTS	MATERIAL	Q'TY	FINISHING	TOLERANCE	ANGLES	UNITS	mm
⑤	Shunt terminal ③	Brass t=0.3	1	Silver Plating	±0.3	±2'	MAT'L	
④	Tip spring ②	SUS301 t=0.2	1	Silver Plating			SEE NOTE	
③	Center pin ①	Brass t=0.3	1	Silver Plating			FINISH	
②	Cover	PA66/PBT	1	Black			SEE NOTE	
①	Housing	PA66/PBT	1	Black			Q'TY	

THESE DRAWINGS AND SPECIFICATIONS ARE THE PROPERTY OF ACCURATE INNO TECH INC AND SHALL NOT BE REPRODUCED, COPIED OR USED IN ANY MANNER WITHOUT THE PRIOR WRITTEN CONSENT OF ACCURATE INNO TECH INC.



东莞市腾兴电子有限公司

TITLE: DIP DC POWER JACK	PART NO.: DCB0-0003A
DR: Ricky 2019/03/05	DWG NO.: AB0-0003A
CHKD: Ricky 2019/03/05	SCALE SHEET REV. CUSTOMER DRAWING
APPD:	1:1 1/1 A