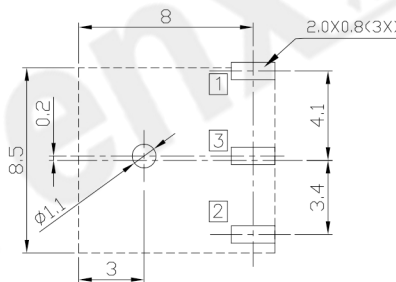
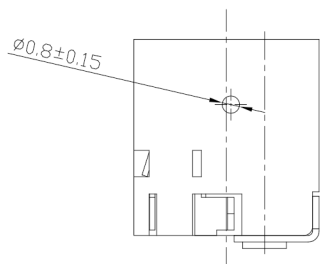
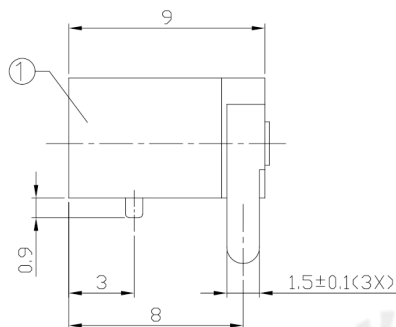
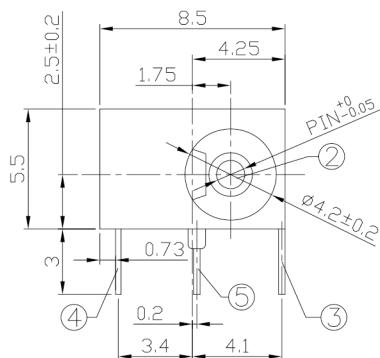




RoHS  
Compliant  
2002/95/EC

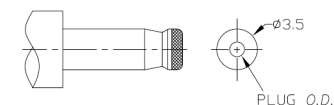
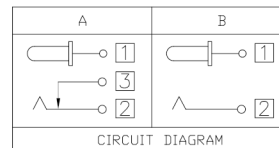
### DIMENSIONS



RECOMMENDED P.C.B. LAYOUT  
UNSPECIFIED TOLERANCE:±0.05  
(BOTTOM VIEW)

MODEL CODE:  
DCB0-00060- A □ 66 BK T 0 4  
(1) (2) (3)(4) (5) (6) (7)(8) (9)  
(1):Series type:DIP DC POWER JACK.  
(2):Series No.  
(3):Schematic option: A , B  
(4):Center pin diameter:  
C=φ1.0 , E=φ1.3  
(5):Material of housing:  
66=PA66  
(6):Housing color:  
BK=Black  
(7):Terminal plating  
S=Silver(Ag) , T=Tin(Sn)  
(8):Special option:  
0=No special option  
(9):Packing mode:  
4=Bag packing

Specification:  
1.Rating :DC 20V 2A.  
2.Contact resistance :≤50mΩ  
After test:≤100mΩ  
3.Insulation resistance : ≥100MΩ (500VDC).  
After test:≥50MΩ  
4.Withstanding voltage: 500VAC .  
5.Insertion and extraction force: 3N~30N.  
6.life test: 5000cycles min.  
7.Operation temperature range:-20℃~70℃.  
8.Preservative temperature range:-40℃~85℃.



DC MATE PLUG

|            |                                         |                                         |
|------------|-----------------------------------------|-----------------------------------------|
| Model No.  | C                                       | E                                       |
| CENTER PIN | φ1.0                                    | φ1.3                                    |
| PLUG O.D.  | φ1.05 <sup>+0.10</sup> <sub>-0.00</sub> | φ1.35 <sup>+0.10</sup> <sub>-0.00</sub> |

○: ITEM NO. □: TERMINAL NO.

| NO. | PARTS                 | MATERIAL              | Q'TY | FINISHING          | TOLERANCE | ANGLES | UNITS    | mm |
|-----|-----------------------|-----------------------|------|--------------------|-----------|--------|----------|----|
| ⑤   | Shunt terminal ③      | Brass t0.3            | 1    | Silver/Tin plating | ±0.3      | ±2°    | MAT'L    |    |
| ④   | Tip spring ②          | Stainless steel t0.25 | 1    | Silver/Tin plating |           |        | SEE NOTE |    |
| ③   | Center pin terminal ① | Brass t0.3            | 1    | Silver/Tin plating |           |        | FINISH   |    |
| ②   | Center pin            | Copper Alloy          | 1    | CuSn plating       |           |        | SEE NOTE |    |
| ①   | Housing               | PA66                  | 1    | Black              |           |        | Q'TY     |    |

THESE DRAWINGS AND SPECIFICATIONS ARE THE PROPERTY OF ACCURATE INNO TECH INC AND SHALL NOT BE REPRODUCED, COPIED OR USED IN ANY MANNER WITHOUT THE PRIOR WRITTEN CONSENT OF ACCURATE INNO TECH INC.

|                          |  |                      |                  |
|--------------------------|--|----------------------|------------------|
| <b>东莞市腾兴电子有限公司</b>       |  |                      |                  |
| TITLE: DIP DC POWER JACK |  | PART NO.: DCB0-00060 |                  |
| DR: Ricky 2019/03/06     |  | DWG NO.: AB0-00060   |                  |
| CHKD: Ricky 2019/03/06   |  | SCALE: 1:1           | SHEET: 1/1       |
| APPD:                    |  | REV: A               | CUSTOMER DRAWING |