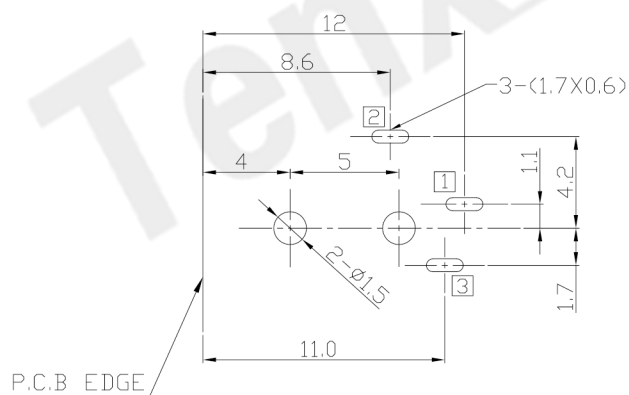
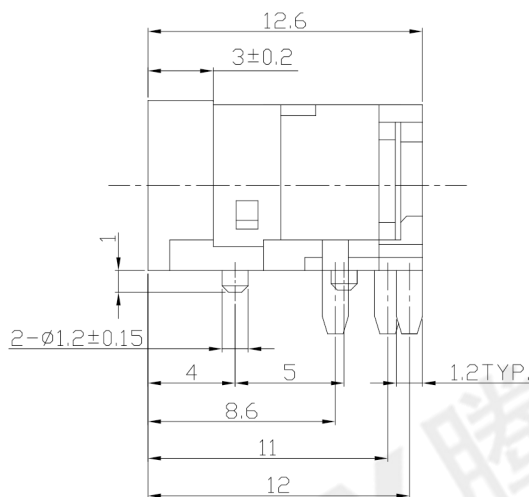
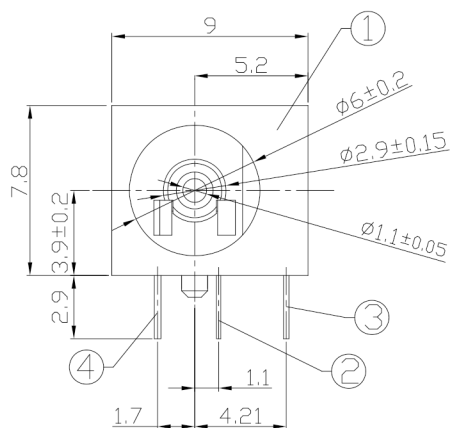




RoHS
Compliant
2002/95/EC

REV.	ECN.	NO.	APPD.

DIMENSIONS



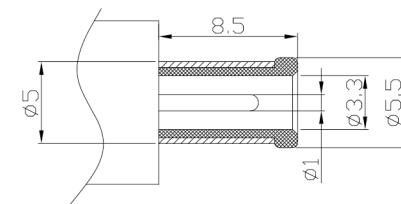
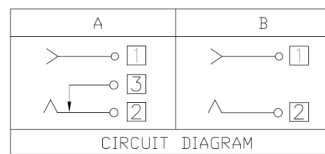
PCB HOLES(BOTTOM VIEW) t=1.6mm
NOTE:GENERAL TOLERANCE:±0.05mm

MODEL CODE:

- DCB0-00910- A D PB BK S 0 4
 (1) (2) (3)(4)(5) (6) (7)(8) (9)
 (1):Series type:DIP DC POWER JACK.
 (2):Series No.
 (3):Schematic option: A , B
 (4):Center pin diameter:
 D=φ1.1
 (5):Material of housing:
 PB=PBT
 (6):Housing color:
 BK=Black (Standard)
 4A=Yellow(XH-1223)=PBT4815
 (7):Terminal plating
 S=Silver(Ag)
 (8):Special option:
 0=No special option
 (9):Packing mode:
 4=Bag packing

SPECIFICATION:

- 1.Rating : DC 30V 4A;
- 2.Contact resistance: ≤30mΩ;
After test:≤50mΩ
- 3.Insulation resistance: ≥100MΩ (DC500V);
After test:≥50MΩ
- 4.Withstand voltage: 500VAC ;
- 5.Insertion and extraction force: 3-30N;
- 6.life test: 5,000 cycles;
- 7.Operation temperature range:-20°C~70°C;
- 8.Preservative temperature range:-40°C~85°C;



○: ITEM NO. □: TERMINAL NO.

NO.	PARTS	MATERIAL	Q'TY	FINISHING	TOLERANCE	ANGLES	UNITS	mm	东莞市腾兴电子有限公司					
④	Shunt terminal ③	Brass t=0.3	1	Silver plating	±0.3	±2'	MAT'L	SEE NOTE	TITLE: DIP DC POWER JACK		PART NO.: DCB0-00910			
③	Tip spring ②	Phosphor bronze t=0.25	1	Silver plating					DR: Ricky 2019/05/03		DWG NO.: AB0-00910			
②	Center pin ①	Phosphor bronze t=0.2	1	Silver plating	THESE DRAWINGS AND SPECIFICATIONS ARE THE PROPERTY OF ACCURATE INNO TECH INC AND SHALL NOT BE REPRODUCED, COPIED OR USED IN ANY MANNER WITHOUT THE PRIOR WRITTEN CONSENT OF ACCURATE INNO TECH INC.		FINISH	SEE NOTE	CHKD: Ricky 2019/05/03		SCALE	SHEET	REV.	CUSTOMER
①	Housing	PBT+15%GF UL94V-0	1	Black					Q'TY		APPD:	1:1	1/1	A