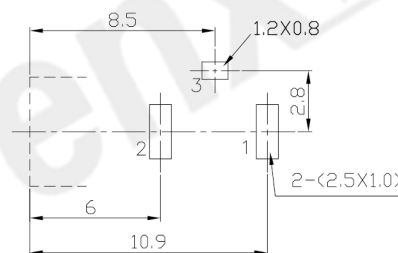
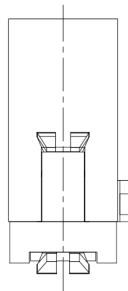
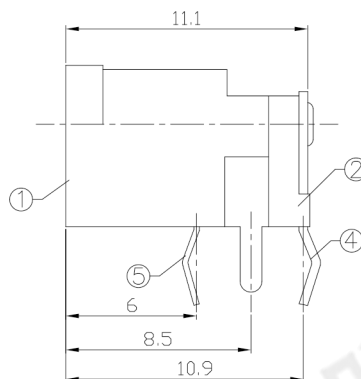
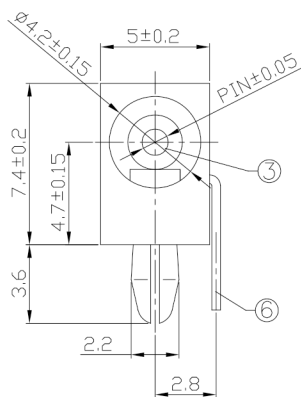




RoHS
Compliant
2002/95/EC

| REV. | ECN. | NO. | APPD. |
|------|------|-----|-------|
| | | | |
| | | | |
| | | | |

DIMENSIONS



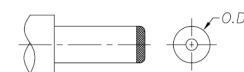
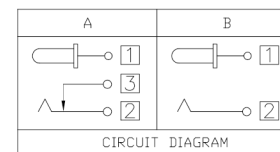
Recommended PCB Layout
(Tolerance±0.05)
(Copper-sided View)

MODEL CODE:

- DCB0-0002A- A □ PB BK S 0 4
 (1) (2) (3)(4) (5) (6) (7)(8) (9)
 (1):Series type:DIP DC POWER JACK.
 (2):Series No.
 (3):Schematic option: A , B
 (4):Center pin diameter:
 C=φ1.0 , E=φ1.3 , G=φ1.65
 (5):Material of housing:
 PB=PBT, 46=PA46, 9T=PA9T
 (6):Housing color:
 BK=Black (Standard)
 (7):Terminal plating
 S=Silver(Ag)
 (8):Special option:
 0=No special opion
 (9):Packing mode:
 4=Bag packing

SPECIFICATION

- Rating : DC 30V 1A;
- Contact resistance: ≤50mΩ;
After test:≤100mΩ
- Insulation resistance: ≥100MΩ (DC500V);
After test:≥50MΩ
- Withstand voltage: 500VAC ;
- Insertion and extraction force: 3-30N;
- life test: 5,000 cycles;
- Operation temperature range:-20°C~70°C;
- Preservative temperature range:-40°C~85°C;



DC MATE PLUG

| Model No. | C | E | G |
|--------------|------|------|-------|
| CENTER PIN | φ1.0 | φ1.3 | φ1.65 |
| DC PLUG O.D. | φ3.5 | φ3.5 | φ4.00 |

○: ITEM NO. □: TERMINAL NO.

| NO. | PARTS | MATERIAL | Q'TY | FINISHING | TOLERANCE | ANGLES | UNITS |
|-----|-----------------------|-----------------------|------|----------------|-----------|--------|----------|
| ⑥ | Shunt terminal ③ | Brass t=0.4 | 1 | Silver Plating | ±0.3 | ±2° | mm |
| ⑤ | Tip spring ② | SUS301 t=0.2 | 1 | Silver Plating | | | MAT'L |
| ④ | Center pin terminal ① | Brass t=0.4 | 1 | Silver Plating | | | SEE NOTE |
| ③ | Center pin ① | Brass | 1 | Nickel plating | | | FINISH |
| ② | Cover | PBT/PA46/PA9T UL94V-0 | 1 | | | | SEE NOTE |
| ① | Housing | PBT/PA46/PA9T UL94V-0 | 1 | | | | Q'TY |
| | | | | | | | |

THESE DRAWINGS AND SPECIFICATIONS ARE THE PROPERTY OF ACCURATE INNOVATION INC AND SHALL NOT BE REPRODUCED, COPIED OR USED IN ANY MANNER WITHOUT THE PRIOR WRITTEN CONSENT OF ACCURATE INNOVATION INC.



东莞市腾兴电子有限公司

| | |
|-----------------------------|-----------------------------------|
| TITLE: DIP DC POWER JACK | PART NO.: DCB0-0002A |
| DR: Ricky 2019/03/04 | DWG NO.: AB0-0002A |
| CHKD: Ricky 2019/03/04 | SCALE SHEET REV. CUSTOMER DRAWING |
| APPD: | 1:1 1/1 A |