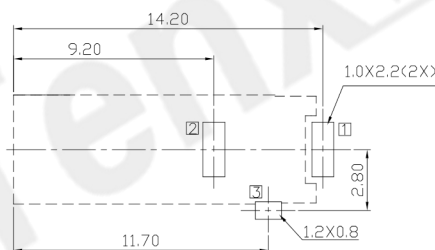
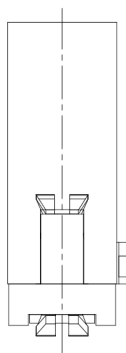
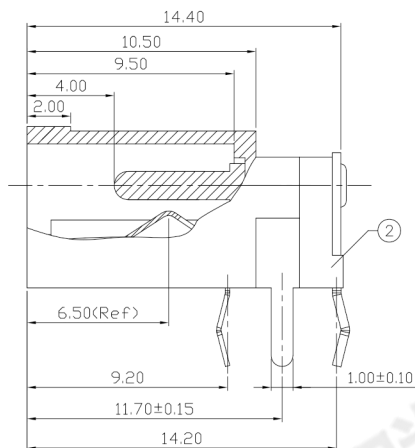
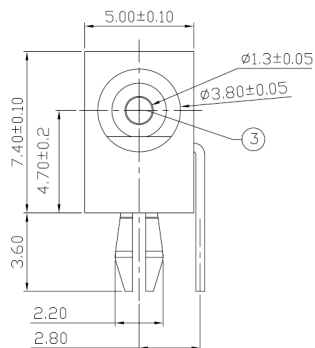




RoHS
Compliant
2002/95/EC

DIMENSIONS

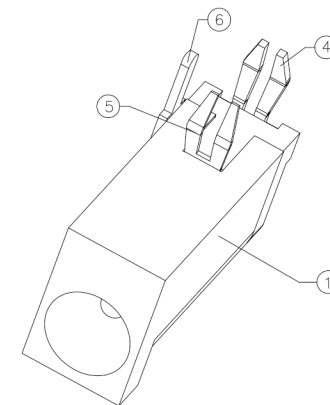


RECOMMENDED P.C.B. LAYOUT
UNSPECIFIED TOLERANCE:±0.05
(TOP VIEW)

MODEL CODE:

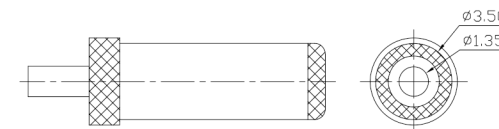
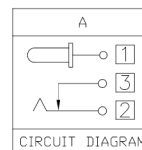
DCB0-0002H- A E PB BK S 0 4

- (1) (2) (3)(4)(5) (6) (7)(8) (9)
- (1):Series type:DIP DC POWER JACK.
- (2):Series No.
- (3):Schematic option: A
- (4):Center pin diameter:
E=φ1.30
- (5):Material of housing:
PB=PBT (Standard)
- (6):Housing color:
BK=Black
- (7):Terminal plating
S=Silver(Ag)
- (8):Special option:
0=No special opion
- (9):Packing mode:
4=Bag packing



Specification:

- 1.Rating : DC 20V 2A.
- 2.Contact resistance: ≤50mΩ
After test:≤100mΩ
- 3.Insulation resistance: ≥100MΩ (500VDC).
After test:≥50MΩ
- 4.Withstanding voltage: 500VAC.
- 5.Insertion and extraction force: 3N~30N.
- 6.life test: 5000cycles min.
- 7.Operation temperature range:-20℃~70℃
- 8.Preservative temperature range:-40℃~85℃



DC MATE PLUG

○: ITEM NO. □: TERMINAL NO.

NO.	PARTS	MATERIAL	Q'TY	FINISHING	TOLERANCE	ANGLES	UNITS
⑥	Shunt terminal ③	Copper Alloy	1	Silver Plating			mm
⑤	Tip spring ②	Stainless steel	1	Silver Plating	±0.3	±2'	MAT'L
④	Center pin terminal ①	Copper Alloy	1	Silver Plating			SEE NOTE
③	Center pin	Copper Alloy	1	Nickel plating			FINISH
②	Cover	Thermoplastic	1	Black			SEE NOTE
①	Housing	Thermoplastic	1	Black			Q'TY

THESE DRAWINGS AND SPECIFICATIONS ARE THE PROPERTY OF ACCURATE INNO TECH INC AND SHALL NOT BE REPRODUCED, COPIED OR USED IN ANY MANNER WITHOUT THE PRIOR WRITTEN CONSENT OF ACCURATE INNO TECH INC.

东莞市腾兴电子有限公司

TITLE:	DIP DC POWER JACK	PART NO.:	DCB0-0002H
DR:	Ricky 2019/03/04	DWG NO.:	AB0-0002H
CHKD:	Ricky 2019/03/04	SCALE	SHEET
APPD:		1:1	1/1
		REV.	A
		CUSTOMER	DRAWING