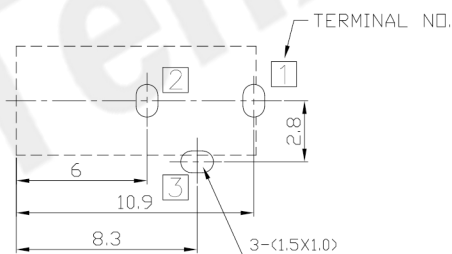
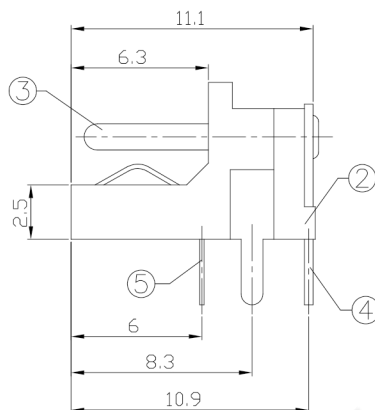
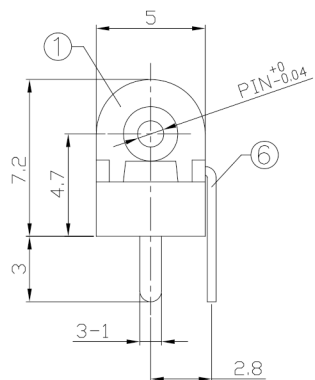




RoHS
Compliant
2002/95/EC

REV.	ECN.	NO.	APPD.

DIMENSIONS



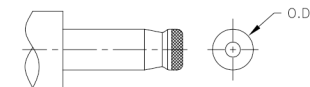
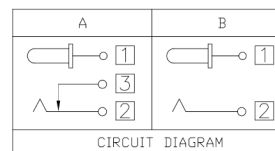
P.C.B Layout (Top view)

MODEL CODE:

DCB0-00010- A □ PB BK S 0 4
 (1) (2) (3)<4> (5) (6) (7)<8> (9)
 (1):Series type:DIP DC POWER JACK.
 (2):Series No.
 (3):Schematic option: A , B
 (4):Center pin diameter:
 A=∅0.65 , C=∅1.0 , E=∅1.3
 (5):Material of housing:
 PB=PBT (Standard)
 (6):Housing color:
 BK=Black
 (7):Terminal plating
 S=Silver(Ag)
 (8):Special option:
 0=No special opion
 (9):Packing mode:
 4=Bag packing

SPECIFICATION

- Rating : DC 30V 1A;
- Contact resistance: ≤50mΩ;
After test:≤100mΩ
- Insulation resistance: ≥100MΩ (DC500V);
After test:≥50MΩ
- Withstand voltage: 500VAC ;
- Insertion and extraction force: 3-30N;
- life test: 5,000 cycles;
- Operation temperature range:-20°C~70°C;
- Preservative temperature range:-40°C~85°C;



DC MATE PLUG

Model No.	A	C	E
CENTER PIN	∅0.65	∅1.0	∅1.3
DC PLUG O.D.	∅2.35	∅3.5	∅3.5

○: ITEM NO. □: TERMINAL NO.

NO.	PARTS	MATERIAL	Q'TY	FINISHING	TOLERANCE	ANGLES	UNITS
⑥	Shunt terminal ③	Brass t=0.4	1	Silver Plating	±0.3	±2°	mm
⑤	Tip spring ②	Stainless steel t=0.2	1	Silver Plating			MAT'L
④	Center pin terminal ①	Brass t=0.4	1	Silver Plating			SEE NOTE
③	Center pin ①	Brass	1	Nickel/Cusn Plating			FINISH
②	Cover	PBT	1				SEE NOTE
①	Housing	PBT	1				Q'TY

THESE DRAWINGS AND SPECIFICATIONS ARE THE PROPERTY OF ACCURATE INNOTECH INC AND SHALL NOT BE REPRODUCED, COPIED OR USED IN ANY MANNER WITHOUT THE PRIOR WRITTEN CONSENT OF ACCURATE INNOTECH INC.



东莞市腾兴电子有限公司

TITLE: DIP DC POWER JACK	PART NO.: DCB0-00010
DR: Ricky 2019/03/04	DWG NO.: AB0-00010
CHKD: Ricky 2019/03/04	SCALE SHEET REV. CUSTOMER DRAWING
APPD:	1:1 1/1 A