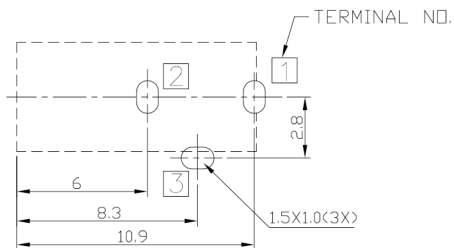
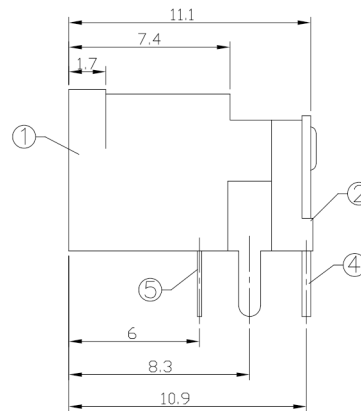
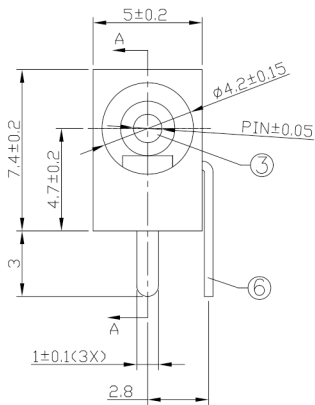




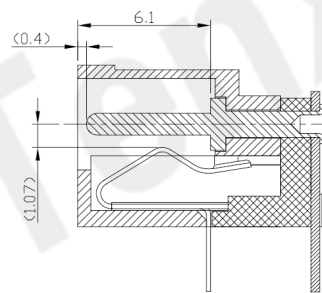
RoHS Compliant
2002/95/EC

REV.	ECN.	NO.	APPD.

DIMENSIONS



RECOMMENDED P.C.B. LAYOUT
UNSPECIFIED TOLERANCE: ±0.05
(TOP VIEW)



SECTION A-A

MODEL CODE:

DCB0-00020- A □ PB BK S 0 4

(1) (2) (3)(4) (5) (6) (7)(8) (9)

(1):Series type:DIP DC POWER JACK.

(2):Series No.

(3):Schematic option: A

(4):Center pin diameter:

A=φ0.65 , C=φ1.0 , E=φ1.3

(5):Material of housing:

PB=PBT ,9T=PA9T

(6):Housing color:

BK=Black (Standard)

8A=Grey (Pantone 428C)

9A=White (XH1013 PBT)

(7):Terminal plating

S=Silver(Ag)

(8):Special option:

0=No special option

(9):Packing mode:

4=Bag packing

Specification:

1.Rating : DC 30V 1A.

2.Contact resistance: ≤50mΩ

After test:≤100mΩ

3.Insulation resistance: ≥100MΩ (500VDC).

After test:≥50MΩ

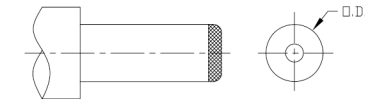
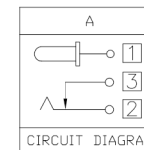
4.Withstanding voltage: 500VAC.

5.Insertion and extraction force: 3N~30N.

6.Life test: 5000 cycles min.

7.Operation temperature range:-20°C~70°C

8.Preservative temperature range:-40°C~85°C



DC MATE PLUG

Model No.	A	C	E
CENTER PIN	φ0.65	φ1.0	φ1.3
DC PLUG O.D.	φ2.35	φ3.5	φ3.5

○: ITEM NO. □: TERMINAL NO.

NO.	PARTS	MATERIAL	Q'TY	FINISHING	TOLERANCE	ANGLES	UNITS	mm
⑥	Shunt terminal ③	Brass t=0.4	1	Silver Plating	±0.3	±2°	SEE NOTE	MAT'L
⑤	Tip spring ②	Stainless steel t=0.2	1	Silver Plating				
④	Center pin terminal ①	Brass t=0.4	1	Silver Plating	SEE NOTE	FINISH	SEE NOTE	Q'TY
③	Center pin ①	Copper alloy	1	CuSn Plating				
②	Cover	PBT/PA9T	1	Silver Plating	THESE DRAWINGS AND SPECIFICATIONS ARE THE PROPERTY OF ACCURATE INNO TECH INC AND SHALL NOT BE REPRODUCED, COPIED OR USED IN ANY MANNER WITHOUT THE PRIOR WRITTEN CONSENT OF ACCURATE INNO TECH INC.			
①	Housing	PBT/PA9T	1	Black				

THESE DRAWINGS AND SPECIFICATIONS ARE THE PROPERTY OF ACCURATE INNO TECH INC AND SHALL NOT BE REPRODUCED, COPIED OR USED IN ANY MANNER WITHOUT THE PRIOR WRITTEN CONSENT OF ACCURATE INNO TECH INC.



东莞市腾兴电子有限公司

TITLE: DIP DC POWER JACK

PART NO.: DCB0-00020

DR: Ricky 2019/03/04

DWG NO.: AB0-00020

CHKD: Ricky 2019/03/04

APPD:

SCALE	SHEET	REV.	CUSTOMER DRAWING
1:1	1/1	A	