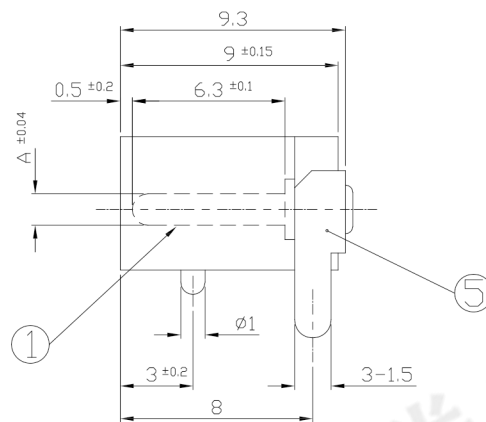
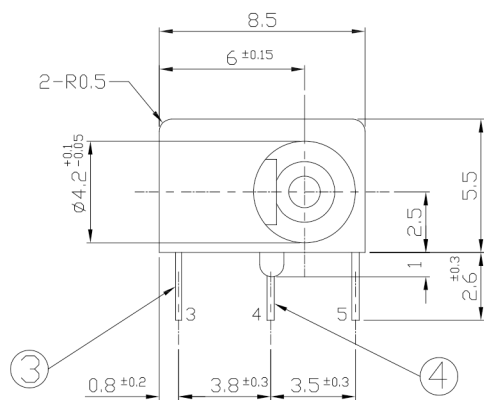




RoHS Compliant
2002/95/EC

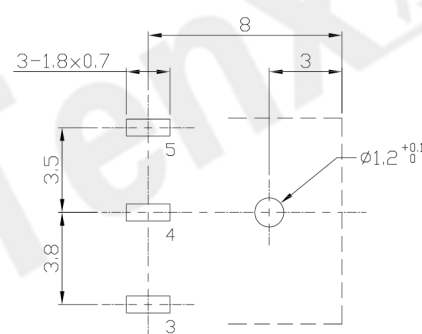
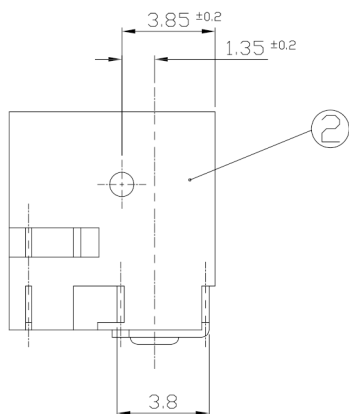
REV.	ECN.	NO.	APPD.

DIMENSIONS



MODEL CODE:

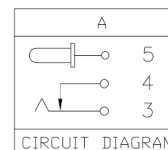
DCD0-28000- A □ PB BK S 0 4
 (1) (2) (3)(4) (5) (6) (7)(8) (9)
 (1):Series type:DC POWER JACK.
 (2):Series No.
 (3):Schematic option: A
 (4):Center pin diameter:
 C=∅1.0mm, E=∅1.3mm
 (5):Material of housing:
 PB=PBT
 (6):Housing color:
 BK=Black
 (7):Terminal plating:
 S=Silver(Ag)
 (8):Special option:
 0=No special option
 (9):Packing mode:
 4=Bag packing



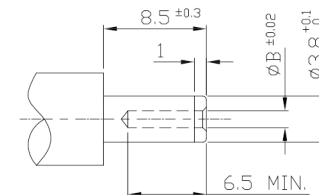
PC BOARD HOLE LAYOUT TOLS:±0.1
(VIEW FROM DIRECTION OF INSERTION TO PCB)

Specification:

- Rating :DC 6V 0.5A.
- Contact resistance :≤30mΩ
- Insulation resistance :≥100MΩ (500V DC).
- Withstanding voltage :250VAC.
- Insertion and extraction force :0.3~3Kgs.
- Life test :5,000 cycles min.
- Operation temperature range:-25°C~70°C



Model No.	C	E
CENTER PIN(A)	∅1.0mm	∅1.3mm
PLUG O.D.(B)	1.1mm	1.4mm



DC MATE PLUG

Bill of materials:

NO.	PARTS	MATERIAL	Q'TY	FINISHING	TOLERANCE	ANGLES	UNITS
⑤	EARTH TERMINAL	BRASS	0.3t	1	Ag-PLATED		mm
④	SHUNT TERMINAL	BRASS	0.3t	1	Ag-PLATED	X≤5=±0.10	MAT'L
③	TIP SPRING	ZINC COPPER ALLOY	0.25t	1	Ag-PLATED	X> 5=±0.30	SEE NOTE
②	CASING	PBT/GF		1	BLACK		FINISH
①	PIN	BRASS		1	Ni-PLATED		SEE NOTE
							Q'TY

THESE DRAWINGS AND SPECIFICATIONS ARE THE PROPERTY OF ACCURATE INNOTECH INC AND SHALL NOT BE REPRODUCED, COPIED OR USED IN ANY MANNER WITHOUT THE PRIOR WRITTEN CONSENT OF ACCURATE INNOTECH INC.



东莞市腾兴电子有限公司

TITLE: DC POWER JACK	PART NO.: DCD0-28000
DR: <i>Ricky</i> 2019/08/27	DWG NO.: AD0-28000
CHKD: <i>Ricky</i> 2019/08/27	SCALE SHEET REV. CUSTOMER DRAWING
APPD:	1:1 1/1 A