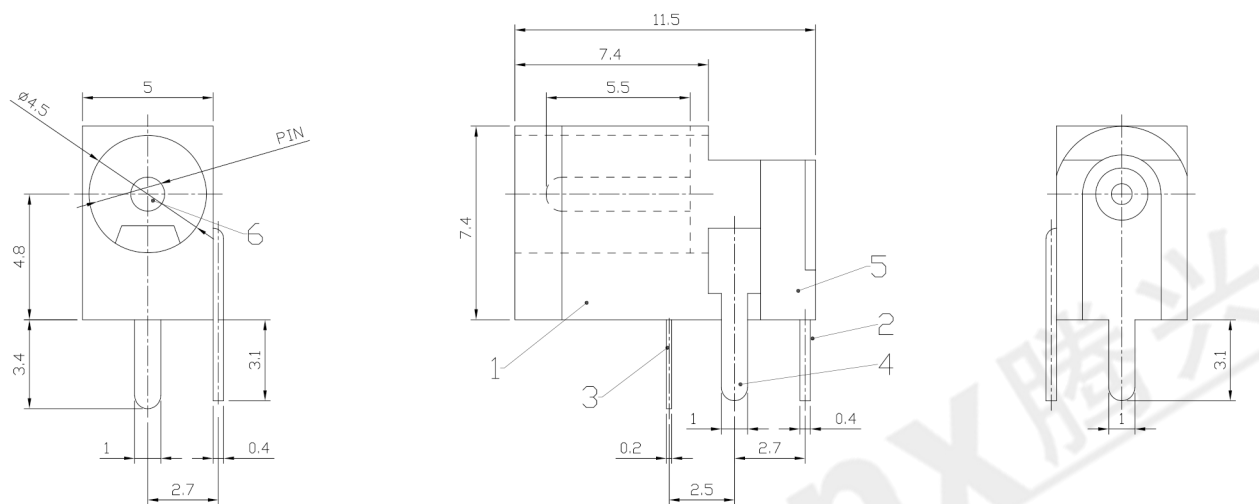




RoHS  
Compliant  
2002/95/EC

REV.	ECN.	NO.	APPD.

### DIMENSIONS



### MODEL CODE:

DCE0-03130- A □ 66 BK S 0 4

(1) (2) (3)(4) (5) (6) (7)(8) (9)

(1):Series type:DIP DC POWER JACK.

(2):Series No.

(3):Schematic option: A

(4):Center pin diameter:

C=φ1.0 , E=φ1.3

(5):Material of housing:

66=PA66

(6):Housing color:

BK=Black

(7):Terminal plating

S=Silver(Ag)

(8):Special option:

0=No special option

(9):Packing mode:

4=Bag packing

### Specification:

1.Rating :DC 30V 0.3A.

2.Contact resistance :≤100mΩ

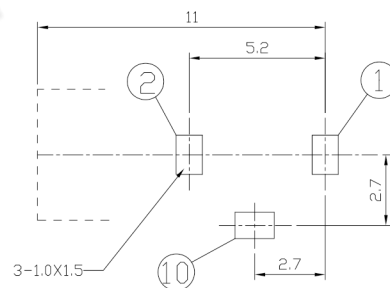
3.Insulation resistance : ≥100MΩ (500VDC).

4.Withstanding voltage: 500VAC .

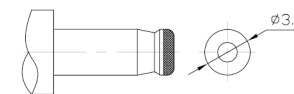
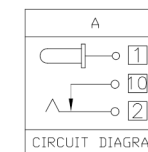
5.Insertion and extraction force: 0.3~3Kgs.

6.life test: 5000cycles min.

7.Operation temperature range:-25°C~85°C



P.C.B LAYOUT



DC MATE PLUG

Model No.	C	E
CENTER PIN	φ1.0	φ1.3

### Bill of materials:

NO.	PARTS	MATERIAL	Q'TY	FINISHING
6	PIN	BRASS	1	Ni PLATED
5	COVER	NYLON+F.G	1	BLACK
4	TERMINAL	BRASS STRIP	1	Ag PLATED
3	SPRING TERMINAL	SUS	1	Ag PLATED
2	TERMINAL	BRASS STRIP	1	Ag PLATED
1	CASE	NYLON+F.G	1	BLACK

GENERAL TOLERANCE	UNITS mm
WITHIN 1.5mm±0.1mm	MAT'L
OVER 1.5mm±0.2mm	SEE NOTE
THESE DRAWINGS AND SPECIFICATIONS ARE THE PROPERTY OF ACCURATE INNOVATECH INC AND SHALL NOT BE REPRODUCED, COPIED OR USED IN ANY MANNER WITHOUT THE PRIOR WRITTEN CONSENT OF ACCURATE INNOVATECH INC.	FINISH
	SEE NOTE
	Q'TY

<b>东莞市腾兴电子有限公司</b>			
TITLE:	DIP DC POWER JACK	PART NO.:	DCE0-03130
DR:	Ricky 2019/03/20	DWG NO.:	AZJ-03130
CHKD:	Ricky 2019/03/20	SCALE	SHEET
APPD:		1:1	1/1
		REV.	A
		CUSTOMER DRAWING	