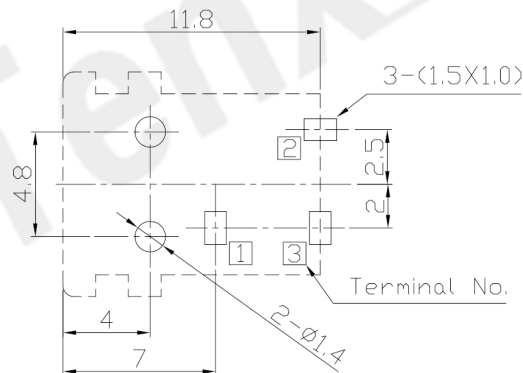
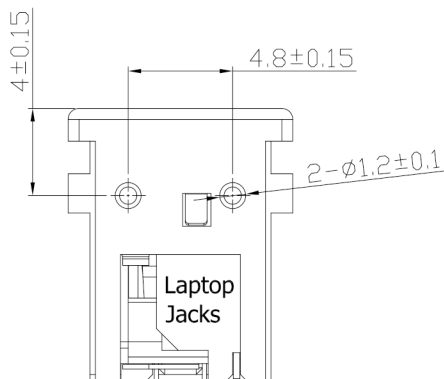
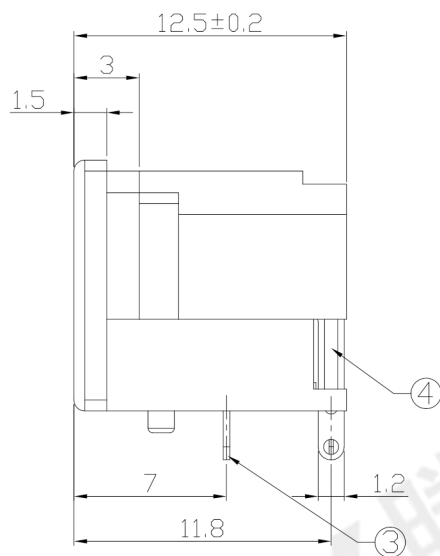
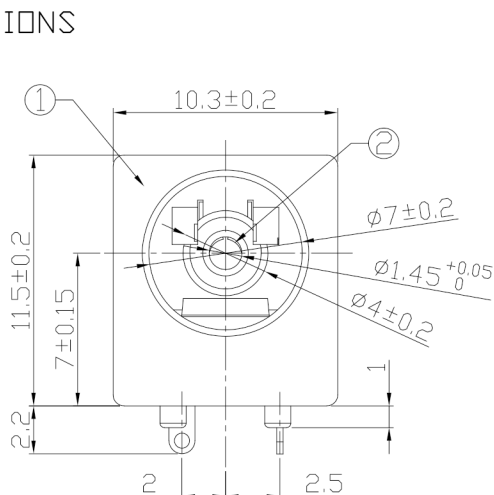




RoHS  
Compliant  
2002/95/EC

REV.	ECN.	NO.	APPD.

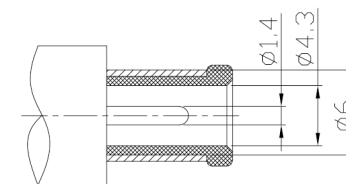
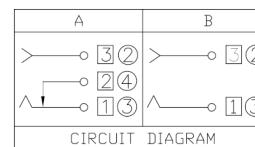
### DIMENSIONS



Recommended PCB Layout  
Tolerance±0.05  
(Printed-sided View)

MODEL CODE:  
DCB0-0029A- A F 66 BK S 0 4  
(1) (2) (3)(4)(5) (6) (7)(8) (9)  
(1):Series type:DIP DC POWER JACK.  
(2):Series No.  
(3):Schematic option: A , B  
(4):Center pin diameter:  
F=∅1.45  
(5):Material of housing:  
PB=PBT 66=PA66  
(6):Housing color:  
BK=Black (Standard)  
(7):Terminal plating  
S=Silver(Ag)  
(8):Special option:  
0=No special option  
(9):Packing mode:  
4=Bag packing

SPECIFICATION:  
1.Rating : DC 20V 2.5A;  
2.Contact resistance: ≤30mΩ;  
After test:≤50mΩ  
3.Insulation resistance: ≥100MΩ (DC500V);  
After test:≥50MΩ  
4.Withstand voltage: 500VAC ;  
5.Insertion and extraction force: 3-30N;  
6.life test: 5,000 cycles;  
7.Operation temperature range:-20°C~70°C;  
8.Preservative temperature range:-40°C~85°C;

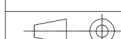


DC MATE PLUG

○: ITEM NO. □: TERMINAL NO.

NO.	PARTS	MATERIAL	Q'TY	FINISHING	TOLERANCE	ANGLES	UNITS	mm
④	Shunt terminal	Brass t=0.3	1	Silver plating	±0.3	±2'	MAT'L	SEE NOTE
③	Tip spring	Phosphor bronze t=0.3	1	Silver plating			FINISH	SEE NOTE
②	Center Terminal	Phosphor bronze t=0.2	1	Silver plating			Q'TY	
①	Housing	PBT/PA66	1	Black				

THESE DRAWINGS AND SPECIFICATIONS ARE THE PROPERTY OF ACCURATE INNOVATION INC AND SHALL NOT BE REPRODUCED, COPIED OR USED IN ANY MANNER WITHOUT THE PRIOR WRITTEN CONSENT OF ACCURATE INNOVATION INC.



东莞市腾兴电子有限公司

TITLE: DIP DC POWER JACK	PART NO.: DCB0-0029A
DR: Ricky 2019/04/11	DWG NO.: AB0-0029A
CHKD: Ricky 2019/04/11	SCALE SHEET REV. CUSTOMER DRAWING
APPD:	1:1 1/1 A