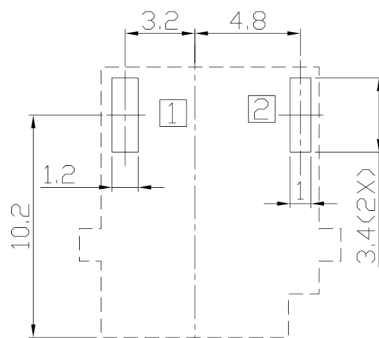
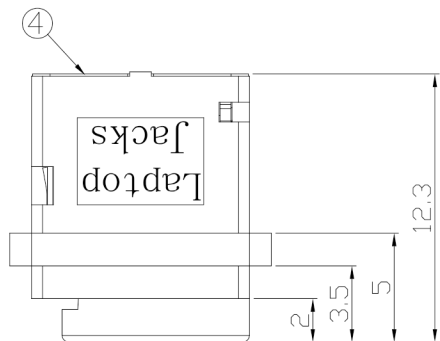




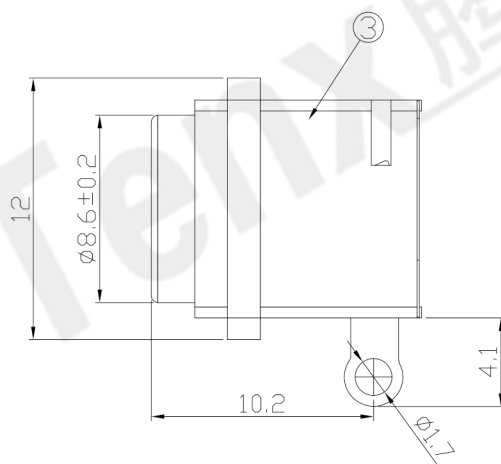
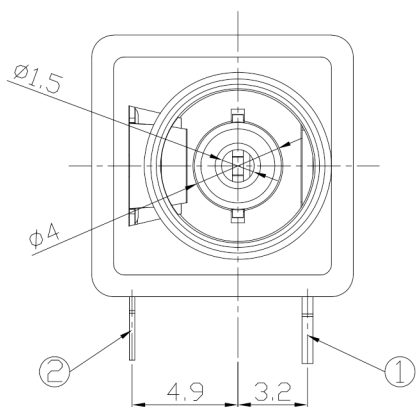
RoHS Compliant  
2002/95/EC

| REV. | ECN. | NO. | APPD. |
|------|------|-----|-------|
|      |      |     |       |
|      |      |     |       |

DIMENSIONS



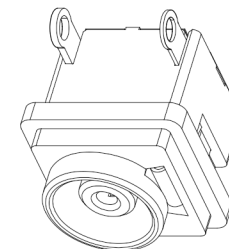
P.C.B Layout  
(Printed-side view)



MODEL CODE:

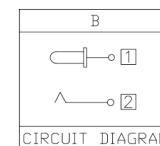
DCB0-0037C- B F 66 BK T 0 4

- (1): Series type: DIP DC POWER JACK.
- (2): Series No.
- (3): Schematic option: B  
F=φ1.45
- (4): Center pin diameter:  
F=φ1.45
- (5): Material of housing:  
66=PA66
- (6): Housing color:  
BK=Black (Standard)
- (7): Terminal plating  
T=Tin(Sn)
- (8): Special option:  
0=No special option
- (9): Packing mode:  
4=Bag packing

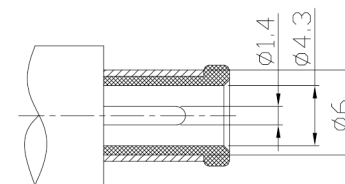


SPECIFICATION:

- 1. Rating : DC 30V 1A;
- 2. Contact resistance : ≤30mΩ;  
After test: ≤50mΩ
- 3. Insulation resistance : ≥100MΩ (DC250V);  
After test: ≥50MΩ
- 4. Withstand voltage : 500VAC ;
- 5. Insertion and extraction force : 3-30N;
- 6. life test : 5,000 cycles;
- 7. Operation temperature range: -20°C~70°C;
- 8. Preservative temperature range: -40°C~85°C;



CIRCUIT DIAGRAM



DC MATE PLUG

○: ITEM NO. □: TERMINAL NO.

| NO. | PARTS   | MATERIAL            | Q'TY | FINISHING  | TOLERANCE   | ANGLES  | UNITS    |
|-----|---------|---------------------|------|------------|---|---------|----------|
| ④   | Cover   | PP UL-94V-0         | 1    | Black      | .X ±0.38  | X ±5'   | mm       |
| ③   | Housing | PA66+15%GF UL-94V-0 | 1    | Black      | .XX ±0.30   | .X ±3'  | MAT'L    |
| ②   | Spring  | Bronze t=0.25       | 1    | Sn-Plating | .XXX ±0.15  | .XX ±2' | SEE NOTE |
| ①   | Pin     | Bronze t=0.5        | 1    | Sn-Plating | THESE DRAWINGS AND SPECIFICATIONS ARE THE PROPERTY OF ACCURATE INNO TECH INC AND SHALL NOT BE REPRODUCED, COPIED OR USED IN ANY MANNER WITHOUT THE PRIOR WRITTEN CONSENT OF ACCURATE INNO TECH INC. |         |          |
|     |         |                     |      |            |   |         |          |

东莞市腾兴电子有限公司

|                          |                                   |
|--------------------------|-----------------------------------|
| TITLE: DIP DC POWER JACK | PART NO.: DCB0-0037C              |
| DR: Ricky 2019/04/12     | DWG NO.: AB0-0037C                |
| CHKD: Ricky 2019/04/12   | SCALE SHEET REV. CUSTOMER DRAWING |
| APPD:                    | 1:1 1/1 A                         |