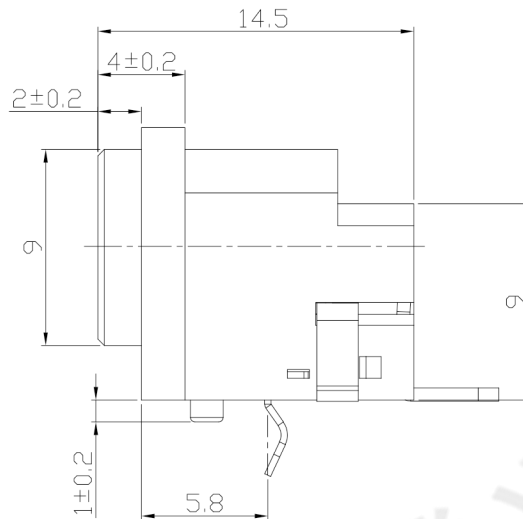
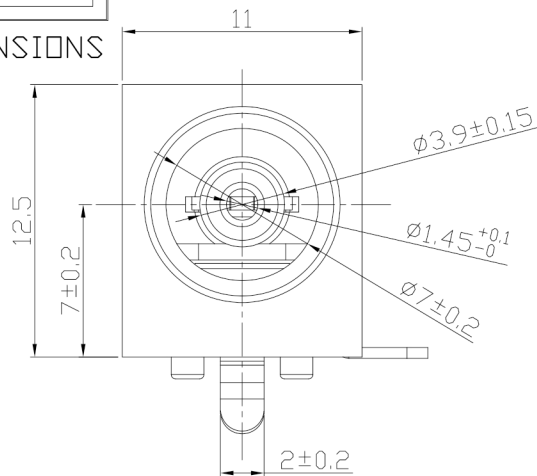




RoHS
Compliant
2002/95/EC

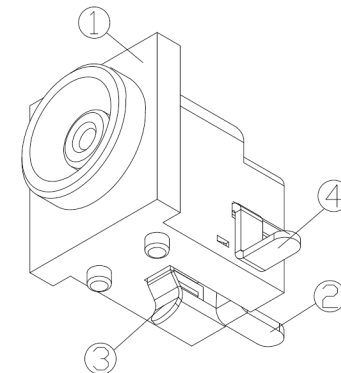
REV.	ECN.	NO.	APPD.

DIMENSIONS



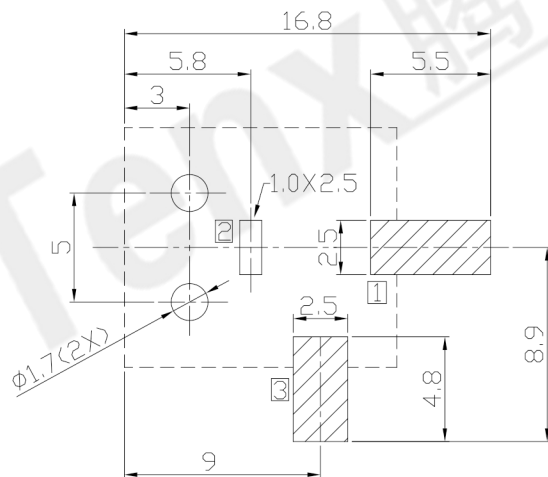
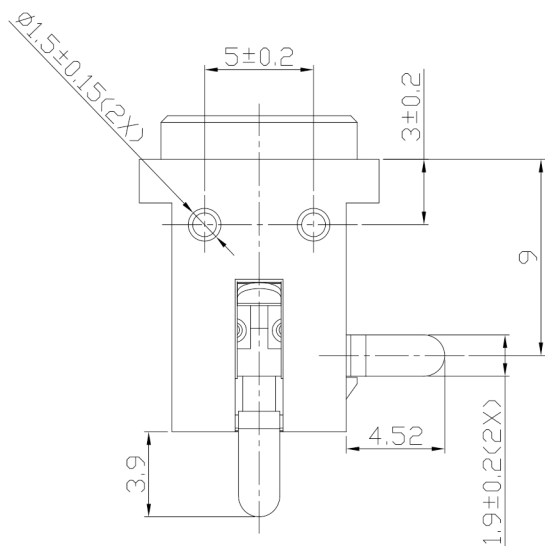
MODEL CODE:

DCB0-0038A- A F 66 BK S 0 4
 (1) (2) (3)(4)(5) (6) (7)(8) (9)
 (1):Series type:DIP DC POWER JACK.
 (2):Series No.
 (3):Schematic option: A , B
 (4):Center pin diameter:
 F=Ø1.45
 (5):Material of housing:
 66=PA66 (Standard)
 (6):Housing color:
 BK=Black
 (7):Terminal plating
 S=Silver(Ag)
 (8):Special option:
 0=No special option
 (9):Packing mode:
 4=Bag packing

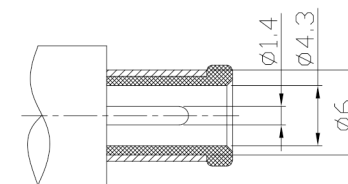
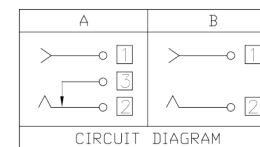


SPECIFICATION:

- 1.Rating : DC 20V 4A;
- 2.Contact resistance: $\leq 30m\Omega$;
After test: $\leq 50m\Omega$
- 3.Insulation resistance: $\geq 100M\Omega$ (DC500V);
After test: $\geq 50M\Omega$
- 4.Withstand voltage: 500VAC ;
- 5.Insertion and extraction force: 3-30N;
- 6.life test: 5,000 cycles;
- 7.Operation temperature range:-20°C~70°C;
- 8.Preservative temperature range:-40°C~85°C;



RECOMMENDED P.C.B. LAYOUT
 UNSPECIFIED TOLERANCE:±0.05
 (TOP VIEW)



○: ITEM NO. □: TERMINAL NO.

NO.	PARTS	MATERIAL	Q'TY	FINISHING	TOLERANCE	ANGLES	UNITS	东莞市腾兴电子有限公司							
④	Shunt terminal ③	Brass t=0.5	1	Silver plating	±0.3	±2°	mm	东莞市腾兴电子有限公司 TITLE: DIP DC POWER JACK PART NO.: DCB0-0038A DR: Ricky 2019/04/12 DWG NO.: AB0-0038A CHKD: Ricky 2019/04/12 APPD:							
③	Tip spring ②	Phosphor bronze t=0.25	1	Silver plating			MAT'L					SCALE	SHEET	REV.	CUSTOMER
②	Center pin ①	Phosphor bronze t=0.6	1	Silver plating			FINISH					1:1	1/1	A	DRAWING
①	Housing	PA66	1	Black			SEE NOTE								
					THESE DRAWINGS AND SPECIFICATIONS ARE THE PROPERTY OF ACCURATE INNO TECH INC AND SHALL NOT BE REPRODUCED, COPIED OR USED IN ANY MANNER WITHOUT THE PRIOR WRITTEN CONSENT OF ACCURATE INNO TECH INC.			Q'TY							