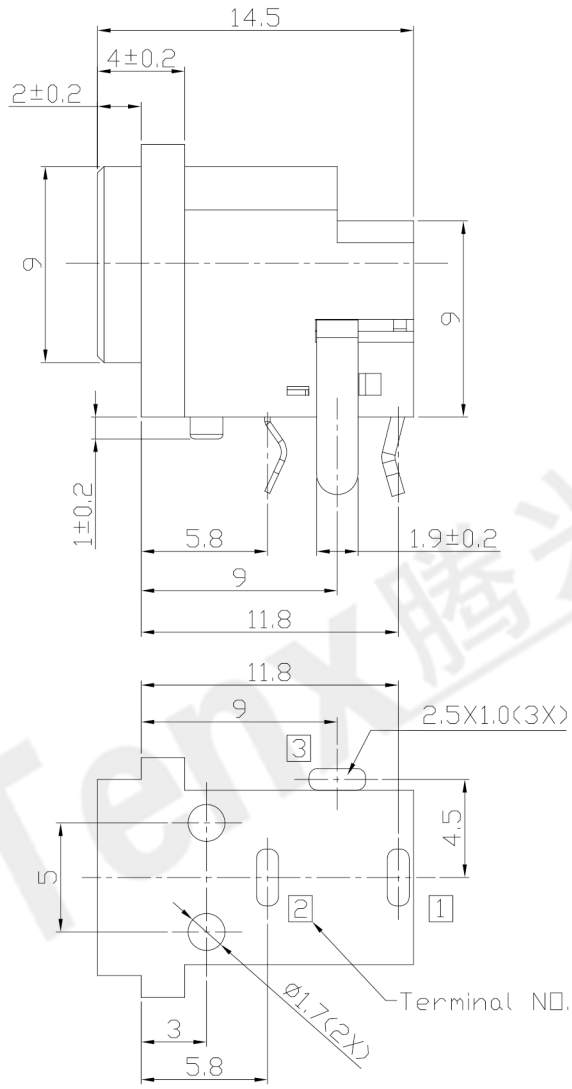
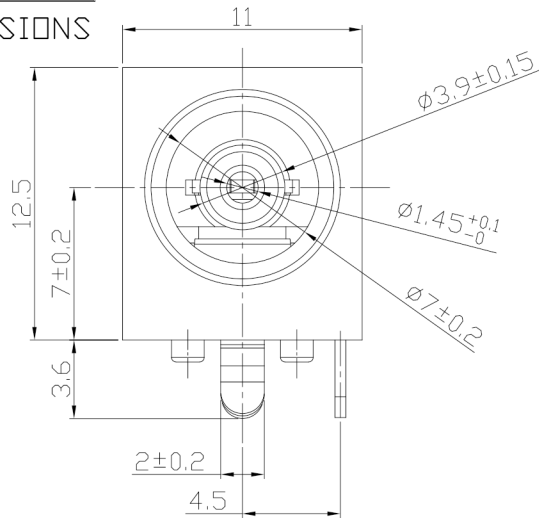


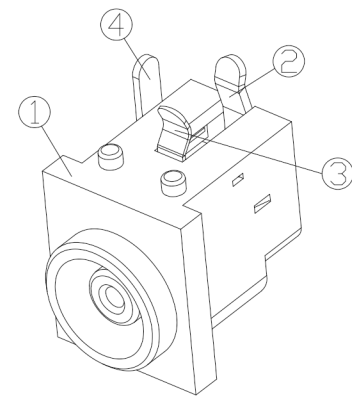


RoHS
Compliant
2002/95/EC

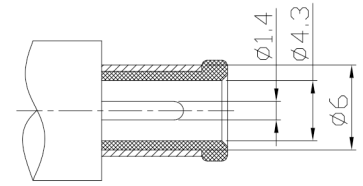
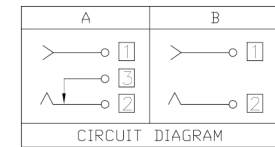
DIMENSIONS



MODEL CODE:
DCB0-00380- A F 66 BK S 0 4
(1) (2) (3)(4) (5) (6) (7)(8) (9)
(1):Series type:DIP DC POWER JACK.
(2):Series No.
(3):Schematic option: A , B
(4):Center pin diameter:
F=φ1.45
(5):Material of housing:
66=PA66 (Standard)
PB=PBT
(6):Housing color:
BK=Black (Standard)
(7):Terminal plating
S=Silver(Ag)
T=Tin(Sn)
(8):Special option:
0=No special option
(9):Packing mode:
3=Plastic box packing
4=Bag packing



SPECIFICATION:
1.Rating : DC 30V 2A;
2.Contact resistance: ≤30mΩ;
After test:≤50mΩ
3.Insulation resistance: ≥100MΩ (DC500V);
After test:≥50MΩ
4.Withstand voltage: 500VAC ;
5.Insertion and extraction force: 3-30N;
6.life test: 5,000 cycles;
7.Operation temperature range:-20°C~70°C;
8.Preservative temperature range:-40°C~85°C;



RECOMMENDED P.C.B. LAYOUT
UNSPECIFIED TOLERANCE:±0.05
(BOTTOM VIEW)

○: ITEM NO. □: TERMINAL NO.

NO.	PARTS	MATERIAL	Q'TY	FINISHING	TOLERANCE	ANGLES	UNITS	mm
④	Shunt terminal ③	Brass t=0.5	1	Silver/Tin plating	±0.3	±2°	MAT'L	
③	Tip spring ②	Phosphor bronze t=0.25	1	Silver/Tin plating			SEE NOTE	
②	Center pin ①	Phosphor bronze t=0.6	1	Silver/Tin plating			FINISH	
①	Housing	PA66 PBT	1	Black			SEE NOTE	
							Q'TY	

THESE DRAWINGS AND SPECIFICATIONS ARE THE PROPERTY OF ACCURATE INNO TECH INC AND SHALL NOT BE REPRODUCED, COPIED OR USED IN ANY MANNER WITHOUT THE PRIOR WRITTEN CONSENT OF ACCURATE INNO TECH INC.

东莞市腾兴电子有限公司

TITLE: DIP DC POWER JACK	PART NO.: DCB0-00380
DR: Ricky 2019/04/12	DWG NO.: AB0-00380
CHKD: Ricky 2019/04/12	SCALE SHEET REV. CUSTOMER DRAWING
APPD:	1:1 1/1 A