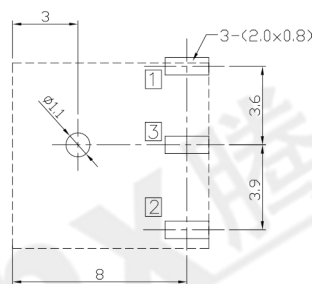
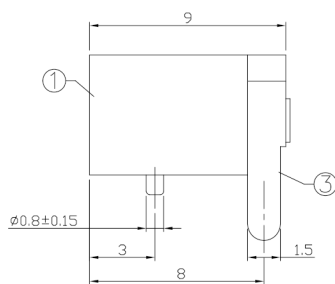
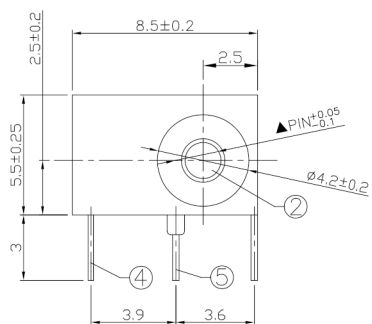




RoHS  
Compliant  
2002/95/EC

REV.	ECN.	NO.	APPD.

### DIMENSIONS



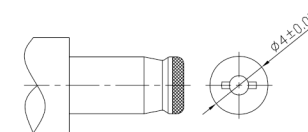
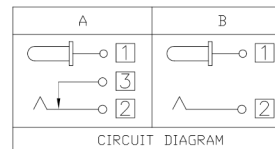
Recommended PCB Layout  
(Tolerance±0.05)  
(Copper-sided View)

### MODEL CODE:

- DCB0-0006D- A □ 66 BK T 0 4  
 (1) (2) (3)(4) (5) (6) (7)(8) (9)  
 (1):Series type:DIP DC POWER JACK.  
 (2):Series No.  
 (3):Schematic option: A , B  
 (4):Center pin diameter:  
 G=φ1.65 ,H=φ2.0  
 (5):Material of housing:  
 66=PA66 (Standard)  
 (6):Housing color:  
 BK=Black  
 (7):Terminal plating  
 T=Tin(Sn)  
 (8):Special option:  
 0=No special opion  
 (9):Packing mode:  
 4=Bag packing

### Specification:

- Rating : DC 20V/2A.
- Contact resistance : ≤30mΩ  
After test:≤50mΩ
- Insulation resistance : ≥100MΩ (500VDC).  
After test:≥50MΩ
- Withstanding voltage: 500VAC.
- Insertion and extraction force: 3N~30N.
- Life test: 5000 cycles min.
- Operation temperature range:-20℃~70℃.
- Preservative temperature range:-40℃~85℃.



DC MATE PLUG

Model No.	G	H
CENTER PIN	φ1.65	φ2.0

○: ITEM NO. □: TERMINAL NO.

NO.	PARTS	MATERIAL	Q'TY	FINISHING	TOLERANCE	ANGLES	UNITS mm	东莞市腾兴电子有限公司			
⑤	Shunt terminal ③	Brass t=0.3mm	1	Tin plating	±0.3	±2°	MAT'L	东 莞 市 腾 兴 电 子 有 限 公 司			
④	Tip spring ②	Sainless steel t=0.25mm	1	Tin plating							
③	Center pin terminal ①	Brass t=0.3mm	1	Tin plating	SEE NOTE	SEE NOTE	FINISH	TITLE: DIP DC POWER JACK		PART NO.: DCB0-0006D	
②	Center pin ①	Brass	1	Nickel plating				DR: Ricky 2019/03/06		DWG NO.: AB0-0006D	
①	Housing	PA66	1	Black	SEE NOTE	Q'TY	CHKD: Ricky 2019/03/06	SCALE		REV.	CUSTOMER
								1:1	1/1	A	DRAWING

THESE DRAWINGS AND SPECIFICATIONS ARE THE PROPERTY OF ACCURATE INNO TECH INC AND SHALL NOT BE REPRODUCED, COPIED OR USED IN ANY MANNER WITHOUT THE PRIOR WRITTEN CONSENT OF ACCURATE INNO TECH INC.

