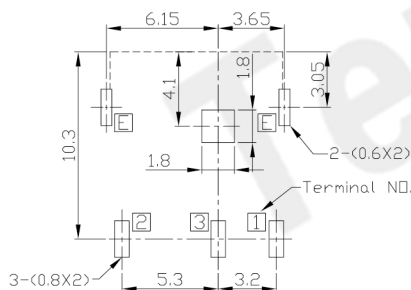
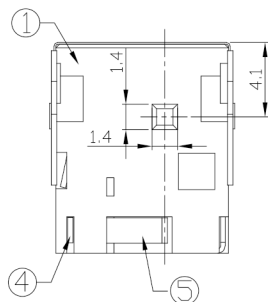
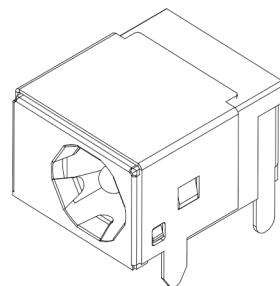
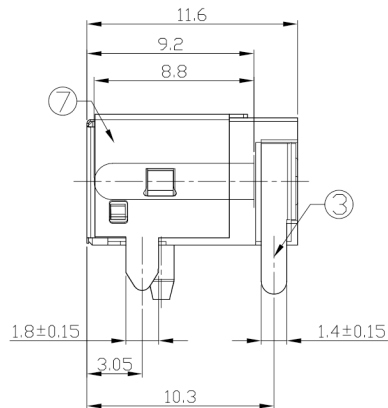
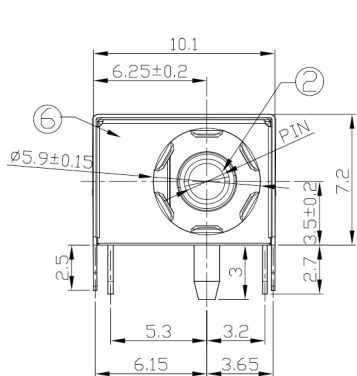




RoHS
Compliant
2002/95/EC

DIMENSIONS



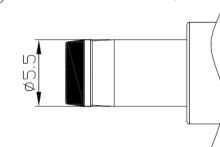
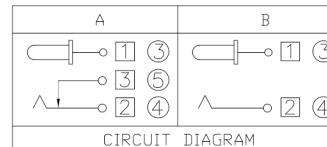
RECOMMENDED P.C.B. LAYOUT
UNSPECIFIED TOLERANCE:±0.05
(COPPER-SIDED VIEW)

MODEL CODE:

- DCB0-0044A- A □ PB BK S 0 4
 (1) (2) (3)(4) (5) (6) (7)(8) (9)
 (1):Series type:DIP DC POWER JACK.
 (2):Series No.
 (3):Schematic option: A , B
 (4):Center pin diameter:
 G=∅1.65 , H=∅2.0 , J=∅2.5
 (5):Material of housing:
 9T=PA9T , PB=PBT (Standard)
 (6):Housing color:
 BK=Black(Only)
 (7):Terminal plating
 S=Silver(Ag)(Standard)
 T=Tin(Sn)
 G=Gold(Au)
 (8):Special option:
 0=No special option
 (9):Packing mode:
 1=Reel packing
 3=Plastic box packing
 4=Bag packing

SPECIFICATION:

- Rating : DC 25V 3A;
- Contact resistance: ≤50mΩ;
After test:≤100mΩ
- Insulation resistance: ≥100MΩ (DC500V);
After test:≥50MΩ
- Withstand voltage: 500VAC ;
- Insertion and extraction force: 3-30N;
- life test: 5,000 cycles;
- Operation temperature range:-20°C~70°C;
- Preservative temperature range:-40°C~85°C;



DC MATE PLUG

Model No.	G	H	J
CENTER PIN	∅1.65	∅2.0	∅2.5

○: ITEM NO. □: TERMINAL NO.

NO.	PARTS	MATERIAL	Q'TY	FINISHING	TOLERANCE	ANGLES	UNITS	mm
7	Ground shield	Brass t=0.2	1	Ni-Plating	±0.3	±2°	MAT'L	
6	Shield plate	Stainless steel t=0.1	1				SEE NOTE	
5	Shunt Terminal	Brass t=0.3	1	Ag-Plating			FINISH	
4	Tip Spring	Phosphor Bronze t=0.3	1	Ag-Plating			SEE NOTE	
3	Center pin contact	Brass t=0.25	1	Ag-Plating			Q'TY	
2	Center pin	Brass	1	Ni-Plating				
1	Housing	PBT/PA9T	1					

THESE DRAWINGS AND SPECIFICATIONS ARE THE PROPERTY OF ACCURATE INNOVATECH INC AND SHALL NOT BE REPRODUCED, COPIED OR USED IN ANY MANNER WITHOUT THE PRIOR WRITTEN CONSENT OF ACCURATE INNOVATECH INC.

东莞市腾兴电子有限公司

TITLE:	DIP DC POWER JACK	PART NO.:	DCB0-0044A
DR:	Ricky 2019/04/29	DWG NO.:	AB0-0044A
CHKD:	Ricky 2019/04/29	SCALE	SHEET
APPD:		1:1	1/1
		REV.	A
		CUSTOMER DRAWING	