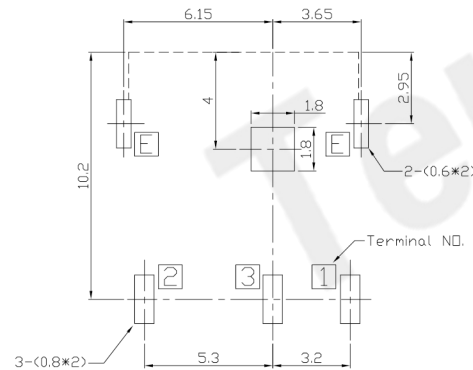
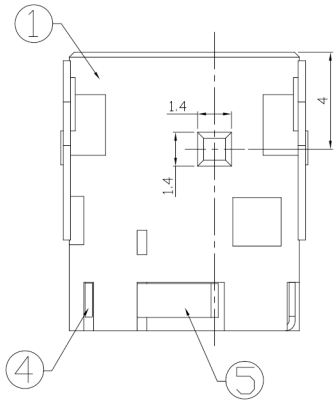
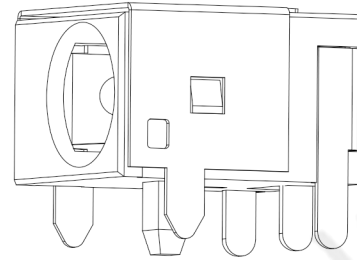
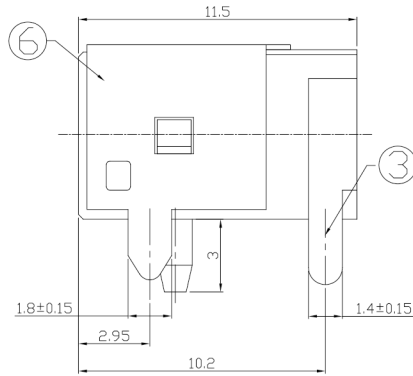
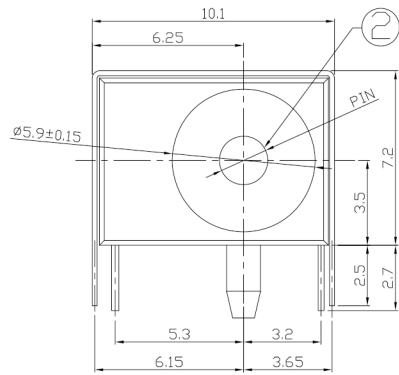




RoHS
Compliant
2002/95/EC

DIMENSIONS



P.C.B Layout
(Copper-sided view)

MODEL CODE:

DCB0-0044B- A □ PB BK S 0 4

(1) (2) (3)(4) (5) (6) (7)(8) (9)

(1):Series type:DIP DC POWER JACK.

(2):Series No.

(3):Schematic option: A , B

(4):Center pin diameter:

G=φ1.65 , H=φ2.0 , I=φ2.35 , J=φ2.5

(5):Material of housing:

PB=PBT(Standard) , 9T=PA9T

(6):Housing color:

BK=Black(Only)

(7):Terminal plating

S=Silver(Ag) (Standard)

T=Tin(Sn)

G=Gold(Au)

(8):Special option:

0=No special option

(9):Packing mode:

1=Reel packing

3=Plastic box packing

4=Bag packing

SPECIFICATION:

1.Rating : DC 30V 0.5A;

2.Contact resistance : ≤30mΩ;

After test:≤50mΩ

3.Insulation resistance : ≥100MΩ (DC500V);

After test:≥50MΩ

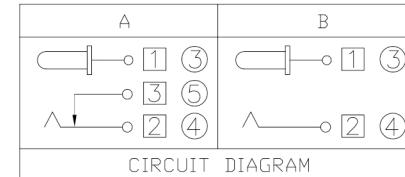
4.Withstand voltage : 500VAC ;

5.Insertion and extraction force : 3-30N;

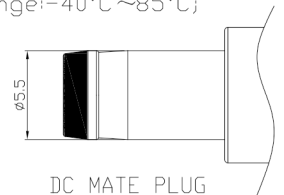
6.life test : 5,000 cycles;

7.Operate temperature range:-20°C~70°C;

8.Preservative temperature range:-40°C~85°C;



CIRCUIT DIAGRAM



DC MATE PLUG

| | | | | |
|------------|-------|------|-------|------|
| Model No. | G | H | I | J |
| CENTER PIN | φ1.65 | φ2.0 | φ2.35 | φ2.5 |

○: ITEM NO. □: TERMINAL NO.

| NO. | PARTS | MATERIAL | Q'TY | FINISHING |
|-----|---------------------|-----------------|------|---------------|
| ⑥ | Earth terminal | Brass | 1 | Cu-Ni-Plating |
| ⑤ | Shunt terminal | Brass | 1 | Ni-Ag-Plating |
| ④ | Tip spring | Phosphor bronze | 1 | Ni-Ag-Plating |
| ③ | Center pin terminal | Brass | 1 | Ni-Ag-Plating |
| ② | Center pin | Brass | 1 | Cu-Sn-Plating |
| ① | Housing | PBT/PA9T | 1 | |

THESE DRAWINGS AND SPECIFICATIONS ARE THE PROPERTY OF ACCURATE INNOVATECH INC AND SHALL NOT BE REPRODUCED, COPIED OR USED IN ANY MANNER WITHOUT THE PRIOR WRITTEN CONSENT OF ACCURATE INNOVATECH INC.

| | | | |
|-----------|--------|----------|----|
| TOLERANCE | ANGLES | UNITS | mm |
| ±0.3 | ±2° | MAT'L | |
| | | SEE NOTE | |
| | | FINISH | |
| | | SEE NOTE | |
| | | Q'TY | |

东莞市腾兴电子有限公司

TITLE: DIP DC POWER JACK

PART NO.: DCB0-0044B

DR: Ricky 2019/04/29

DWG NO.: AB0-0044B

CHKD: Ricky 2019/04/29

APPD:

| SCALE | SHEET | REV. | CUSTOMER DRAWING |
|-------|-------|------|------------------|
| 1:1 | 1/1 | A | |