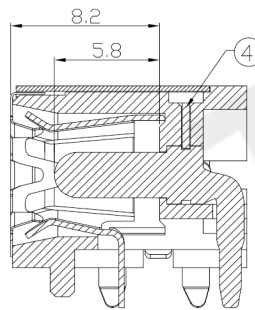
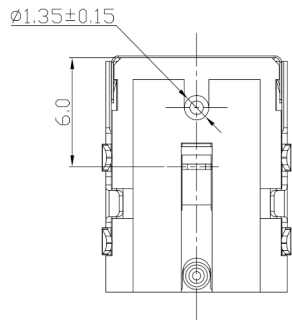
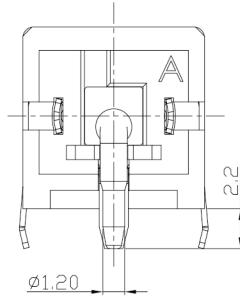
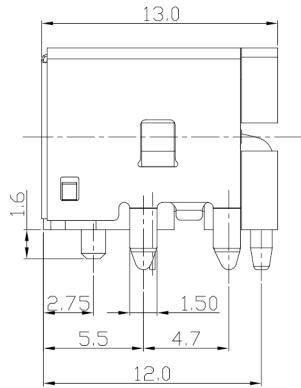
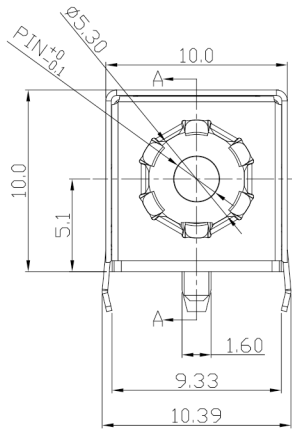




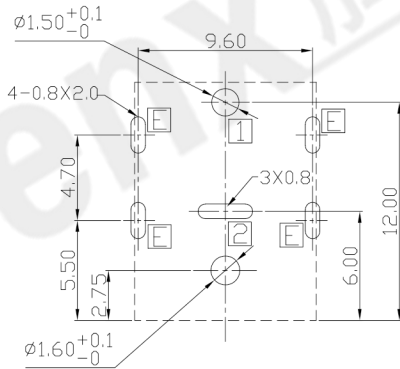
RoHS
Compliant
2002/95/EC

Halogen Free

DIMENSIONS



SECTION A-A
(Short Center pin end is Circle)



RECOMMENDED P.C.B. LAYOUT
UNSPECIFIED TOLERANCE: ±0.05
(TOP VIEW)

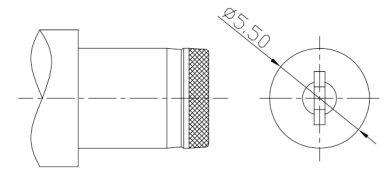
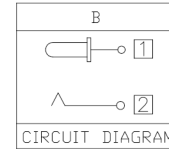
MODEL CODE:

DCB0-0146F- B □ 10 BK S 0 1
(1) (2) (3)(4) (5) (6) (7)(8) (9)

- (1):Series type:DIP DC POWER JACK.
- (2):Series No.
- (3):Schematic option: B
- (4):Center pin diameter:
G=φ1.65 , H=φ2.0 , J=φ2.5
- (5):Material of housing:
10=PA10T(Standard)
- (6):Housing color:
BK=Black , 3C=Orange(157C)
- (7):Terminal plating
T=Tin(Sn) , S=Silver(Ag)
- (8):Special option:
0=No Special Option
G=Center pin is Gold(Au) plating
- (9):Packing mode:
1=Reel packing
3=Plastic box packing
4=Bag packing

SPECIFICATION:

- 1.Rating : DC 20V 8A;
- 2.Contact resistance: ≤30mΩ;
After test:≤50mΩ
- 3.Insulation resistance: ≥100MΩ (DC500V);
After test:≥50MΩ
- 4.Withstand voltage: 500VAC;
- 5.Insertion and extraction force: 3-30N;
- 6.life test: 5,000 cycles;
- 7.Operaton temperature range:-20°C~70°C;
- 8.Preservative temperature range:-40°C~85°C;



DC MATE PLUG

Model No.	G	H	J
CENTER PIN	φ1.65	φ2.0	φ2.5

○: ITEM NO. □: TERMINAL NO.

NO.	PARTS	MATERIAL	Q'TY	FINISHING
⑥	Ground Terminal E	Copper Alloy	1	Ni plating
⑤	Shield plate	Stainless steel	1	
④	Terminal	Copper Alloy	1	
③	Tip spring 2	Copper Alloy	1	See "Ordering info"
②	Center pin 1	Zn Alloy	1	See "Ordering info"
①	Housing	High temp.Thermoplastic	1	Halogen Free, Black

THESE DRAWINGS AND SPECIFICATIONS ARE THE PROPERTY OF ACCURATE INNOVATECH INC AND SHALL NOT BE REPRODUCED, COPIED OR USED IN ANY MANNER WITHOUT THE PRIOR WRITTEN CONSENT OF ACCURATE INNOVATECH INC.

UNITS	mm
MAT'L	SEE NOTE
FINISH	SEE NOTE
Q'TY	

东莞市腾兴电子有限公司

TITLE:	DIP DC POWER JACK	PART NO.:	DCB0-0146F
DR:	Ricky 2019/05/06	DWG NO.:	AB0-0146F
CHKD:	Ricky 2019/05/06	SCALE	1:1
APPD:		SHEET	1/1
		REV.	A
		CUSTOMER DRAWING	