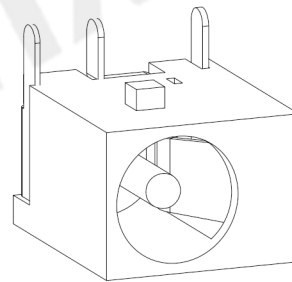
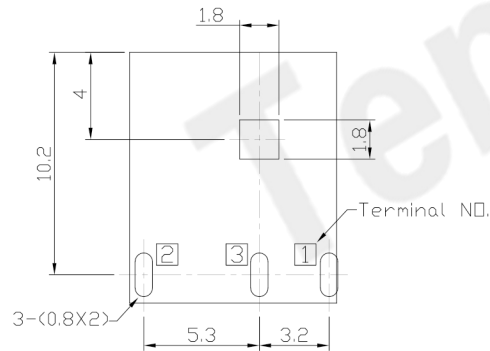
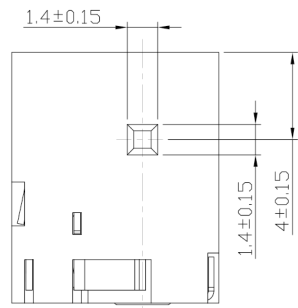
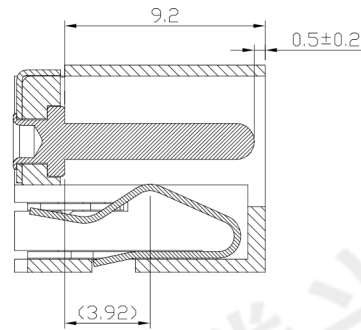
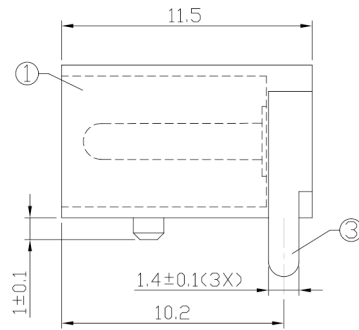
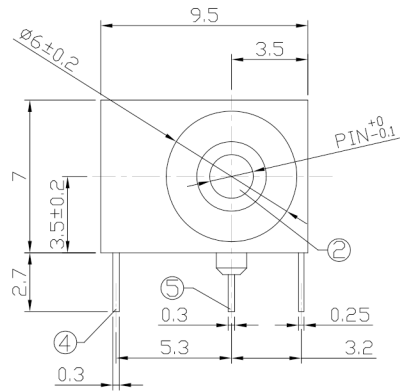




RoHS
Compliant
2002/95/EC

DIMENSIONS



RECOMMENDED P.C.B. LAYOUT
UNSPECIFIED TOLERANCE:±0.05
(BOTTOM VIEW)

○: ITEM NO. □: TERMINAL NO.

MODEL CODE:

DCB0-00440- A □ PB BK S 0 4

(1) (2) (3)(4) (5) (6) (7)(8) (9)

(1):Series type:DIP DC POWER JACK.

(2):Series No.

(3):Schematic option: A

(4):Center pin diameter:

G=φ1.65 , H=φ2.0 , J=φ2.5

(5):Material of housing:

PB=PBT , 9T=PA9T

(6):Housing color:

BK=Black , 9A=White(0010=PBT)

(7):Terminal plating

S=Silver(Ag)

(8):Special option:

0=No special option

B=Stainless steel for 2#CONTACT

(9):Packing mode:

1=Reel packing

4=Bag packing

SPECIFICATION:

1.Rating : DC 25V 3A;

2.Contact resistance: ≤30mΩ;

After test:≤50mΩ

3.Insulation resistance: ≥100MΩ (DC500V);

After test:≥50MΩ

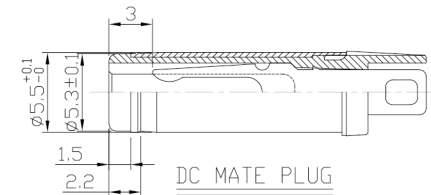
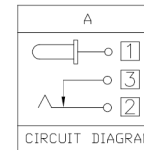
4.Withstand voltage: 500VAC ;

5.Insertion and extraction force: 3-30N;

6.life test: 5,000 cycles;

7.Operation temperature range:-20°C~70°C;

8.Preservative temperature range:-40°C~85°C;



Model No.	G	H	J
CENTER PIN	φ1.65	φ2.0	φ2.5

NO.	PARTS	MATERIAL	Q'TY	FINISHING	TOLERANCE	ANGLES	UNITS	mm	东莞市腾兴电子有限公司			
⑤	Shunt terminal ③	Brass t=0.3	1	Silver plating	±0.3	±2°	MAT'L		TITLE: DIP DC POWER JACK		PART NO.: DCB0-00440	
④	Tip spring ②	Phosphor bronze t=0.3	1	Silver plating			SEE NOTE		DR: Ricky 2019/04/29		DWG NO.: AB0-00440	
③	Center pin contact ①	Brass t=0.25	1	Silver plating			FINISH		CHKD: Ricky 2019/04/29		SCALE	SHEET
②	Center pin	Brass	1	Ni plating			SEE NOTE		APPD:		1:1	1/1
①	Housing	PBT/PA9T	1				Q'TY				REV.	CUSTOMER
											A	DRAWING

THESE DRAWINGS AND SPECIFICATIONS ARE THE PROPERTY OF ACCURATE INNO TECH INC AND SHALL NOT BE REPRODUCED, COPIED OR USED IN ANY MANNER WITHOUT THE PRIOR WRITTEN CONSENT OF ACCURATE INNO TECH INC.

