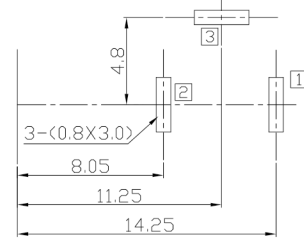
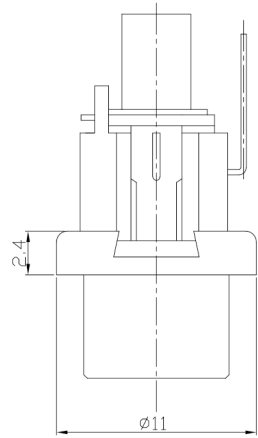




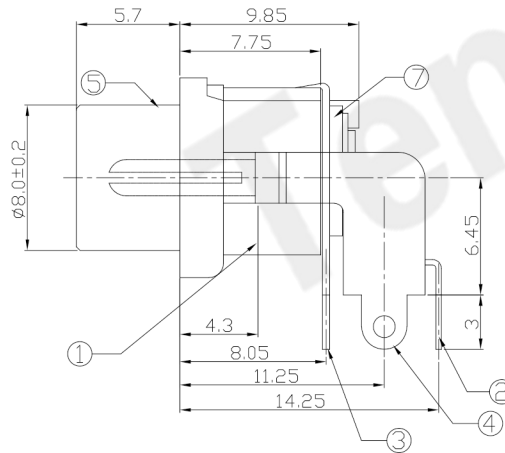
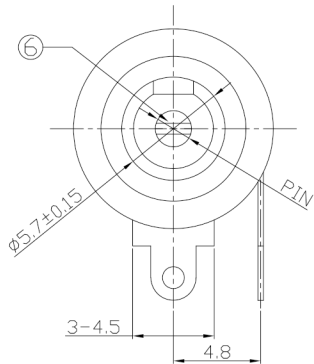
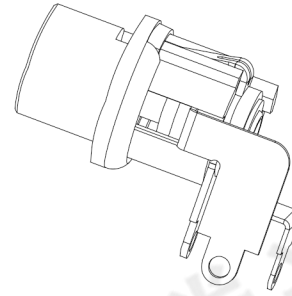
RoHS Compliant
2002/95/EC

REV.	ECN.	NO.	APPD.

DIMENSIONS



P.C.B Layout
(Printed-sided view)



MODEL CODE:

DCB0-01240- A □ PB BK S 0 4

(1) (2) (3)(4) (5) (6) (7)(8) (9)

(1):Series type:DIP DC POWER JACK.

(2):Series No.

(3):Schematic option: A , B

(4):Center pin diameter:

H=φ2.0 , J=φ2.5

(5):Material of housing:

PB=PBT (Only)

(6):Housing color:

BK=Black (Only)

(7):Terminal plating

S=Silver(Ag)

T=Tin(Sn)

C=copper&tin alloy plating (Standard)

(8):Special option:

0=No special option

(9):Packing mode:

4=Bag packing

SPECIFICATION:

1.Rating : DC 30V 3A;

2.Contact resistance: ≤30mΩ;

3.Insulation resistance: ≥100MΩ (DC250V);

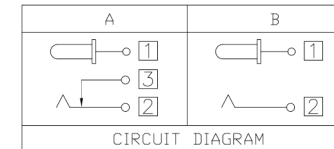
4.Withstand voltage: 500VAC ;

5.Insertion and extraction force: 3-30N;

6.life test: 5,000 cycles;

7.Operaton temperature range:-20°C~70°C;

8.Preservative temperature range:-40°C~85°C;



Model No.	H	J
CENTER PIN	φ2.0	φ2.5

DC MATE PLUG

○: ITEM NO. □: TERMINAL NO.

NO.	PARTS	MATERIAL	Q'TY	FINISHING
⑥	Center pin □1	Phosphor bronze	1	Ni-Plating
⑤	Bushing	Brass	1	Ni-Plating
④	Shunt terminal □3	Phosphor bronze	1	Cu-Sn-Plating
③	Tip spring □2	Phosphor bronze	1	Cu-Sn-Plating
②	Center pin terminal □1	Brass	1	Cu-Sn-Plating
①	Housing	PBT	1	Black

THESE DRAWINGS AND SPECIFICATIONS ARE THE PROPERTY OF ACCURATE INNO TECH INC AND SHALL NOT BE REPRODUCED, COPIED OR USED IN ANY MANNER WITHOUT THE PRIOR WRITTEN CONSENT OF ACCURATE INNO TECH INC.

UNITS mm			
TOLERANCE	±0.3	ANGLES	±2°
FINISH	SEE NOTE	Q'TY	SEE NOTE

东莞市腾兴电子有限公司			
TITLE: DIP DC POWER JACK		PART NO.: DCB0-01240	
DR: Ricky 2019/05/03		DWG NO.: AB0-01240	
CHKD: Ricky 2019/05/03		SCALE	SHEET
APPD:		1:1	1/1
		REV.	CUSTOMER DRAWING
		A	