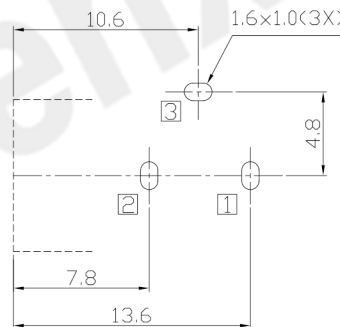
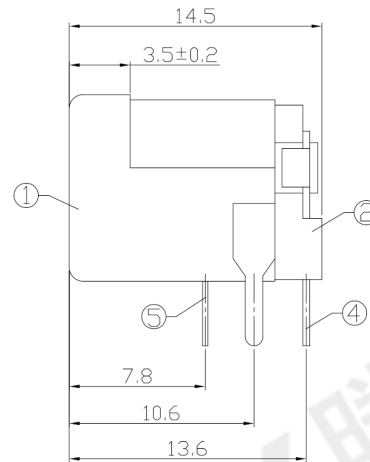
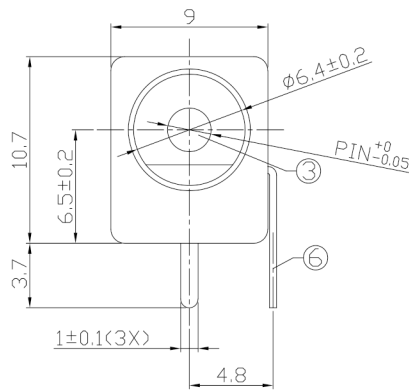




RoHS  
Compliant  
2002/95/EC

DIMENSIONS



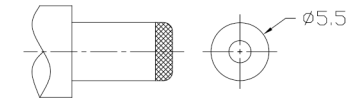
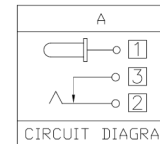
RECOMMENDED P.C.B. LAYOUT  
UNSPECIFIED TOLERANCE:±0.05  
(BOTTOM VIEW)

MODEL CODE:

- DCB0-5006B- A □ PB BK T 0 3  
(1) (2) (3)(4) (5) (6) (7)(8) (9)  
(1):Series type:DIP DC POWER JACK.  
(2):Series No.  
(3):Schematic option: A  
(4):Center pin diameter:  
H=φ2.0 , I=φ2.35 , J=φ2.5  
(5):Material of housing:  
PB=PBT (Standard)  
(6):Housing color:  
BK=Black  
(7):Terminal plating  
T=Tin(Sn)  
(8):Special option:  
0=Center pin CuSn plating  
N=Center pin Nickel plating  
(9):Packing mode:  
3=Plastic box packing  
4=Bag packing

SPECIFICATION:

- 1.Rating : DC 20V 4A;  
2.Contact resistance: ≤30mΩ;  
After test:≤50mΩ  
3.Insulation resistance: ≥100MΩ (DC500V);  
After test:≥50MΩ  
4.Withstand voltage: 500VAC ;  
5.Insertion and extraction force: 3-30N;  
6.life test: 5,000 cycles;  
7.□operation temperature range:-20°C~70°C;  
8.Preservative temperature range:-40°C~85°C;



Model No.	H	I	J
CENTER PIN	φ2.0	φ2.35	φ2.5

○: ITEM NO. □: TERMINAL NO.

NO.	PARTS	MATERIAL	Q'TY	FINISHING	TOLERANCE	ANGLES	UNITS
⑥	Shunt terminal ③	Brass t=0.4	1	Tin plating			mm
⑤	Tip spring ②	Phosphor bronze t=0.3	1	Tin plating	±0.3	±2'	MAT'L
④	Center pin terminal ①	Brass t=0.4	1	Tin plating			SEE NOTE
③	Center pin ①	Copper alloy	1	CuSn/Nickel plating			FINISH
②	Cover	PBT	1	Black			SEE NOTE
①	Housing	PBT	1	Black			Q'TY

THESE DRAWINGS AND SPECIFICATIONS ARE THE PROPERTY OF ACCURATE INNO TECH INC AND SHALL NOT BE REPRODUCED, COPIED OR USED IN ANY MANNER WITHOUT THE PRIOR WRITTEN CONSENT OF ACCURATE INNO TECH INC.

东莞市腾兴电子有限公司

TITLE: DIP DC POWER JACK	PART NO.: DCB0-5006B
DR: Ricky 2019/05/06	DWG NO.: AB0-5006B
CHKD: Ricky 2019/05/06	SCALE SHEET REV. CUSTOMER DRAWING
APPD:	1:1 1/1 A