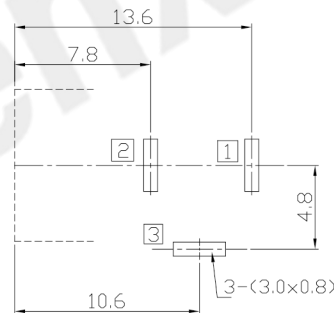
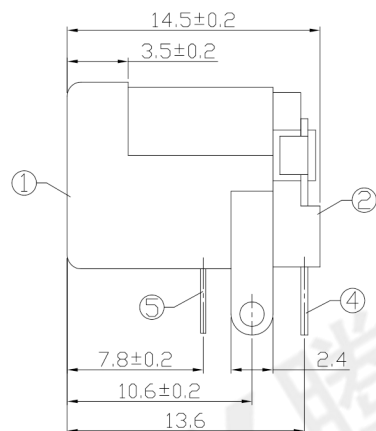
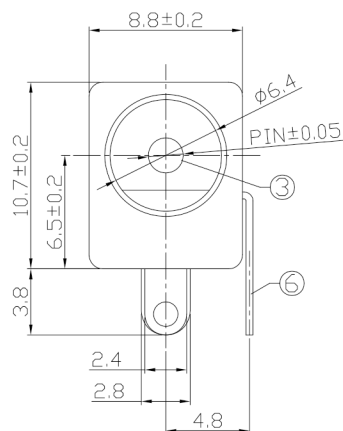




RoHS
Compliant
2002/95/EC

REV.	ECN. NO.	APPD.

DIMENSIONS



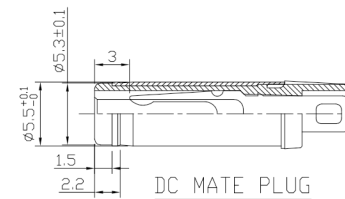
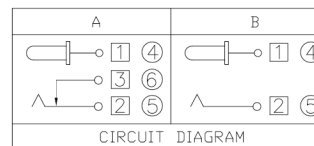
P.C.B Layout
(Top view)

MODEL CODE:

DCB0-50050- A □ PB BK I 0 4
 (1) (2) (3)(4) (5) (6) (7)(8) (9)
 (1):Series type:DIP DC POWER JACK.
 (2):Series No.
 (3):Schematic option: A , B
 (4):Center pin diameter:
 H=φ2.0 , I=φ2.35 , J=φ2.5
 (5):Material of housing:
 PB=PBT (Standard)
 (6):Housing color:
 BK=Black
 (7):Terminal plating
 T=Tin(Sn)
 (8):Special option:
 0=No special option
 (9):Packing mode:
 4=Bag packing

SPECIFICATION:

1.Rating : DC 16V 2.5A;
 2.Contact resistance: ≤30m Ω;
 3.Insulation resistance: ≥100M Ω (DC500V);
 4.Withstand voltage: 500VAC ;
 5.Insertion and extraction force: 3-30N;
 6.life test: 5,000 cycles;
 7. Operation temperature range:-20°C~70°C;
 8.Preservative temperature range:-40°C~85°C;



Model No.	H	I	J
CENTER PIN	φ2.0	φ2.35	φ2.5

○: ITEM NO. □: TERMINAL NO.

NO.	PARTS	MATERIAL	Q'TY	FINISHING	TOLERANCE	ANGLES	UNITS
6	Shunt terminal 3	Brass T=0.40mm	1	Tin-Plating	±0.3	±2°	mm
5	Tip spring 2	Bronze T=0.30mm	1	Tin-Plating			MAT'L
4	Center pin terminal 1	Brass T=0.40mm	1	Tin-Plating			SEE NOTE
3	Center pin 1	Brass	1	Ni-Plating			FINISH
2	Cover	PBT	1				SEE NOTE
1	Housing	PBT	1				Q'TY
							APPD:

THESE DRAWINGS AND SPECIFICATIONS ARE THE PROPERTY OF ACCURATE INNO TECH INC AND SHALL NOT BE REPRODUCED, COPIED OR USED IN ANY MANNER WITHOUT THE PRIOR WRITTEN CONSENT OF ACCURATE INNO TECH INC.

东莞市腾兴电子有限公司

TITLE: DIP DC POWER JACK	PART NO.: DCB0-50050
DR: Ricky 2019/05/06	DWG NO.: AB0-50050
CHKD: Ricky 2019/05/06	SCALE SHEET REV. CUSTOMER DRAWING
APPD:	1:1 1/1 A