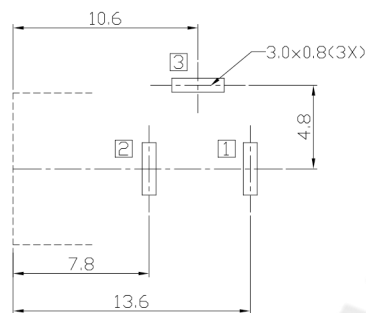
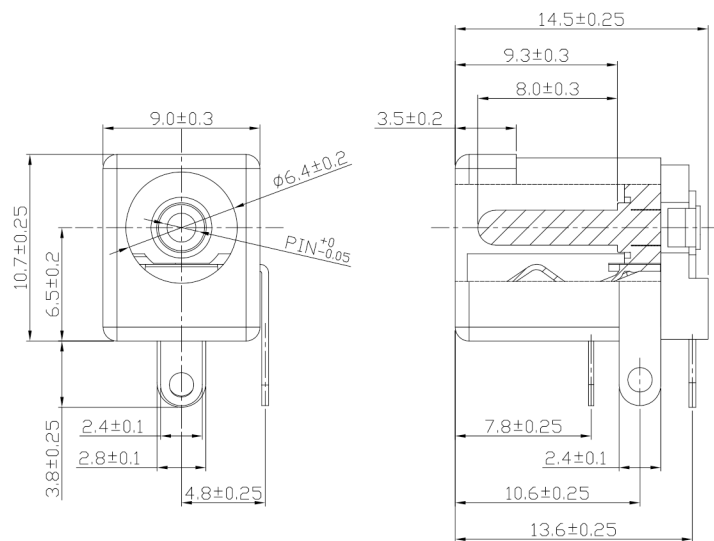


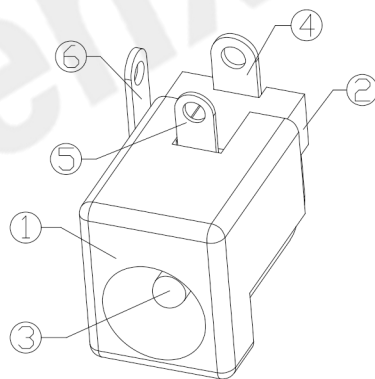
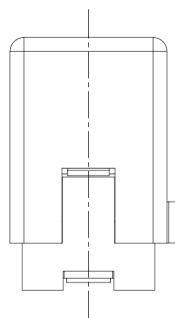


RoHS
Compliant
2002/95/EC

DIMENSIONS



RECOMMENDED P.C.B. LAYOUT
UNSPECIFIED TOLERANCE:±0.05
(BOTTOM VIEW)



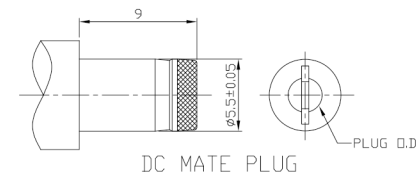
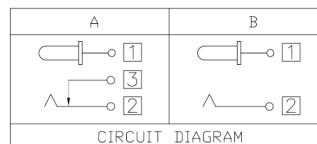
MODEL CODE:

DCB0-50060- A □ PB BK I 0 4

- (1):Series type:DIP DC POWER JACK.
- (2):Series No.
- (3):Schematic option: A , B
- (4):Center pin diameter:
H=∅2.0 , I=∅2.35 , J=∅2.5
- (5):Material of housing:
PB=PBT , 9T=PA9T
- (6):Housing color:
BK=Black (Standard)
9F=PBT 4815 WHITE
- (7):Terminal plating
T=Tin(Sn)
- (8):Special option:
0=No special option
(Center with CuSn plating)
A=Center with gold flash plating
- (9):Packing mode:
4=Bag packing

SPECIFICATION:

- 1.Rating : DC 16V 5A;
- 2.Contact resistance: ≤30mΩ;
After test:≤50mΩ
- 3.Insulation resistance: ≥100MΩ (DC500V);
After test:≥50MΩ
- 4.Withstand voltage: 500VAC ;
- 5.Insertion and extraction force: 3-30N;
- 6.life test: 5,000 cycles;
- 7.Operation temperature range:-20°C~70°C;
- 8.Preservative temperature range:-40°C~85°C;



Model No.	H	I	J
CENTER PIN	∅2.0	∅2.35	∅2.5
PLUG D.D.	2.05 ^{+0.1} ₋₀	2.40 ^{+0.1} ₋₀	2.55 ^{+0.1} ₋₀

○: ITEM NO. □: TERMINAL NO.

NO.	PARTS	MATERIAL	Q'TY	FINISHING
⑥	Shunt terminal ③	Brass t=0.40	1	Tin plating
⑤	Tip spring ②	Phosphor bronze t=0.3	1	Tin plating
④	Center pin terminal ①	Brass t=0.40	1	Tin plating
③	Center pin	Brass	1	See P/N info
②	Cover	PBT/PA9T UL 94V-0	1	White/Black
①	Housing	PBT/PA9T UL 94V-0	1	White/Black

THESE DRAWINGS AND SPECIFICATIONS ARE THE PROPERTY OF ACCURATE INNO TECH INC AND SHALL NOT BE REPRODUCED, COPIED OR USED IN ANY MANNER WITHOUT THE PRIOR WRITTEN CONSENT OF ACCURATE INNO TECH INC.

UNITS	mm	东莞市腾兴电子有限公司			
TOLERANCE	.X ±0.50	TITLE: DIP DC POWER JACK		PART NO.: DCB0-50060	
ANGLES	X ±5'	DR: Ricky 2019/05/06		DWG NO.: AB0-50060	
UNITS	SEE NOTE	CHKD: Ricky 2019/05/06		SCALE	SHEET
FINISH	SEE NOTE	APPD:		1:1	1/1
Q'TY	SEE NOTE			REV.	CUSTOMER DRAWING
				A	