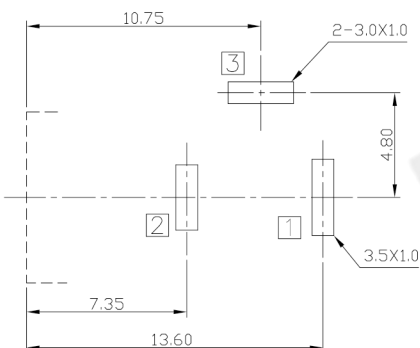
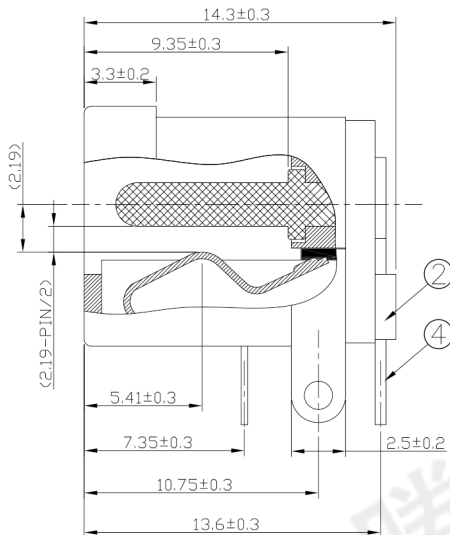
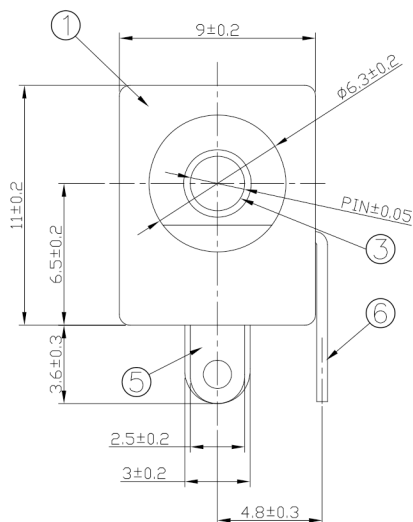




RoHS  
Compliant  
2002/95/EC

REV.	ECN.	NO.	APPD.

### DIMENSIONS



RECOMMENDED PCB LAYOUT  
TOLERANCE:±0.05mm  
(BOTTOM VIEW)

### MODEL CODE:

DCB0-0005E- A □ PB BK T 0 4

(1) (2) (3)(4) (5) (6) (7)(8) (9)

(1):Series type:DIP DC POWER JACK.

(2):Series No.

(3):Schematic option: A , B

(4):Center pin diameter:

G=φ1.65 ,H=φ2.0 ,I=φ2.35 ,J=φ2.5

(5):Material of housing:

PB=PBT (Standard)

(6):Housing color:

BK=Black

(7):Terminal plating

T=Tin(Sn)

(8):Special option:

0=No special option

(9):Packing mode:

4=Bag packing

### Specification:

1.Rating : DC 48V/1.5A.

2.Contact resistance: ≤30mΩ

After test:≤50mΩ

3.Insulation resistance: ≥100MΩ (500VDC).

After test:≥50MΩ

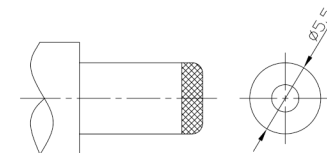
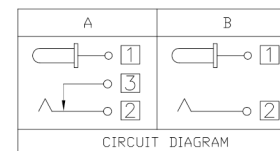
4.Withstanding voltage: 500VAC.

5.Insertion and extraction force: 3N~30N.

6.Life test: 5000 cycles min.

7.Operation temperature range:-20℃~70℃.

8.Preservative temperature range:-40℃~85℃.



DC MATE PLUG

Model No.	G	H	I	J
CENTER PIN	φ1.65	φ2.0	φ2.35	φ2.5

○: ITEM NO. □: TERMINAL NO.

NO.	PARTS	MATERIAL	Q'TY	FINISHING	TOLERANCE	ANGLES	UNITS
⑥	Shunt terminal ③	Brass t=0.5mm	1	Tin plating	±0.3	±2°	mm
⑤	Tip spring ②	Phosphor bronze t=0.3mm	1	Tin plating			MAT'L
④	Center pin terminal ①	Brass t=0.5mm	1	Tin plating			SEE NOTE
③	Center pin	Brass	1	Cusn Plating			FINISH
②	Cover	PBT UL94V-0	1	Black			SEE NOTE
①	Housing	PBT UL94V-0	1	Black			Q'TY

THESE DRAWINGS AND SPECIFICATIONS ARE THE PROPERTY OF ACCURATE INNO TECH INC AND SHALL NOT BE REPRODUCED, COPIED OR USED IN ANY MANNER WITHOUT THE PRIOR WRITTEN CONSENT OF ACCURATE INNO TECH INC.



东莞市腾兴电子有限公司

TITLE: DIP DC POWER JACK

PART NO.: DCB0-0005E

DR: Ricky 2019/03/06

DWG NO.: AB0-0005E

CHKD: Ricky 2019/03/06

SCALE SHEET REV. CUSTOMER DRAWING

1:1 1/1 A