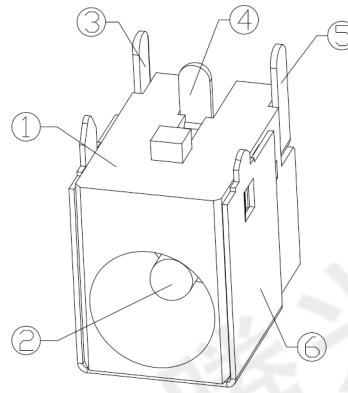
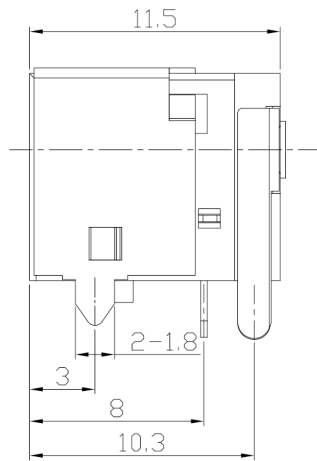
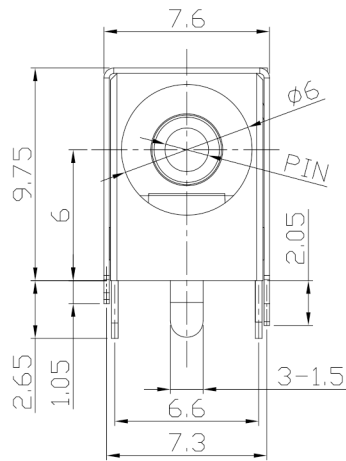




RoHS Compliant
2002/95/EC

REV.	ECN.	NO.	APPD.

DIMENSIONS



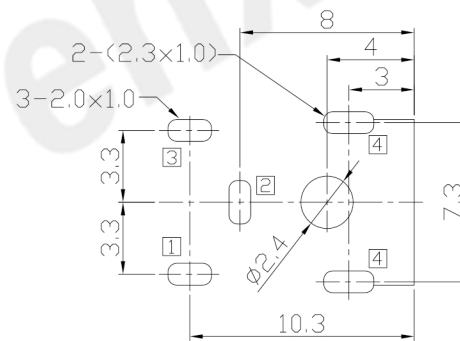
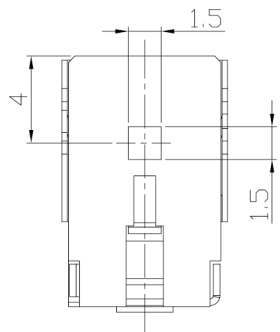
MODEL CODE:

DCB0-0036A- A □ PB BK S 0 4

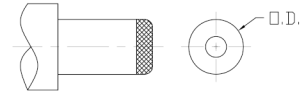
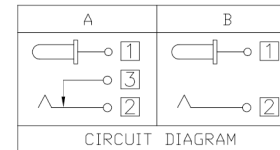
- (1) (2) (3)(4) (5) (6) (7)(8) (9)
 (1):Series type:DIP DC POWER JACK.
 (2):Series No.
 (3):Schematic option: A , B
 (4):Center pin diameter:
 G=φ1.65 , H=φ2.0 , I=φ2.35 , J=φ2.5
 (5):Material of housing:
 PB=PBT (Standard)
 (6):Housing color:
 BK=Black
 (7):Terminal plating
 S=Silver(Ag)
 (8):Special option:
 0=No special option
 (9):Packing mode:
 4=Bag packing

SPECIFICATION:

- Rating : DC 12V 1A;
- Contact resistance: ≤30mΩ;
- Insulation resistance: ≥100MΩ (DC250V);
- Withstand voltage: 500VAC ;
- Insertion and extraction force: 3-30N;
- life test: 5,000 cycles;
- Operation temperature range:-20°C~70°C;
- Preservative temperature range:-40°C~85°C;



P.C.B Layout
(Copper-sided view)



DC MATE PLUG

Model No.	G	H	I	J
CENTER PIN	φ1.65	φ2.0	φ2.35	φ2.5
DC MATE PLUG	φ4.0	φ5.5	φ5.5	φ5.5

○: ITEM NO. □: TERMINAL NO.

NO.	PARTS	MATERIAL	Q'TY	FINISHING
⑥	Shield plate	Brass t=0.25	1	Nickel(Ni) Plating
⑤	Shunt terminal	Brass t=0.3	1	Silver(Ag) Plating
④	Tip spring	SUS301 t=0.3	1	Silver(Ag) Plating
③	Center pin terminal	Brass t=0.3	1	Silver(Ag) Plating
②	Center pin	Brass	1	Nickel(Ni) Plating
①	Housing	PBT UL94V-0	1	

THESE DRAWINGS AND SPECIFICATIONS ARE THE PROPERTY OF ACCURATE INNO TECH INC AND SHALL NOT BE REPRODUCED, COPIED OR USED IN ANY MANNER WITHOUT THE PRIOR WRITTEN CONSENT OF ACCURATE INNO TECH INC.

UNITS	mm
MAT'L	SEE NOTE
FINISH	SEE NOTE
Q'TY	

东莞市腾兴电子有限公司

TITLE:	DIP DC POWER JACK	PART NO.:	DCB0-0036A
DR:	Ricky 2019/04/12	DWG NO.:	AB0-0036A
CHKD:	Ricky 2019/04/12	SCALE	SHEET
APPD:		1:1	1/1
		REV.	A
		CUSTOMER DRAWING	