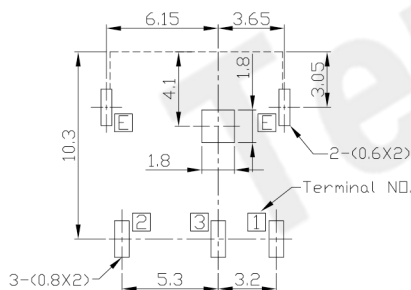
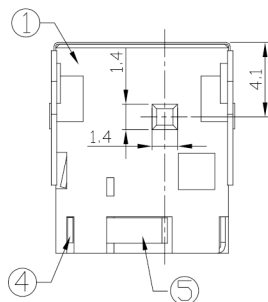
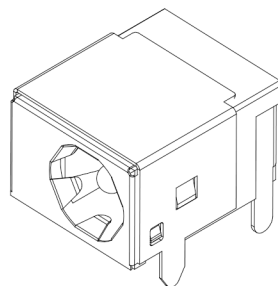
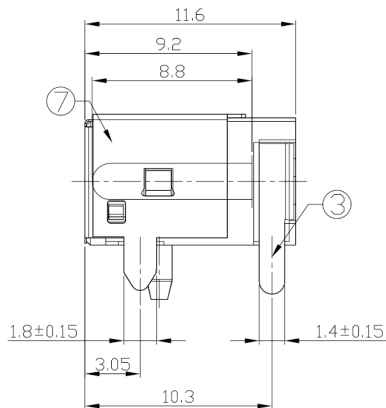
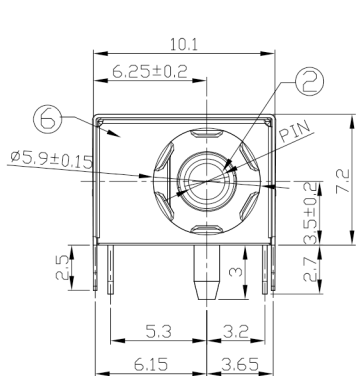




RoHS
Compliant
2002/95/EC

DIMENSIONS



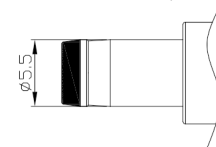
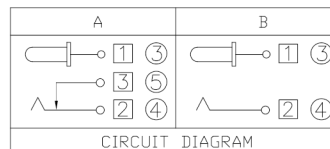
RECOMMENDED P.C.B. LAYOUT
UNSPECIFIED TOLERANCE:±0.05
(COPPER-SIDED VIEW)

MODEL CODE:

- DCB0-0044A- A □ PB BK S 0 4
 (1) (2) (3)(4) (5) (6) (7)(8) (9)
 (1):Series type:DIP DC POWER JACK.
 (2):Series No.
 (3):Schematic option: A , B
 (4):Center pin diameter:
 G=∅1.65 , H=∅2.0 , J=∅2.5
 (5):Material of housing:
 9T=PA9T , PB=PBT (Standard)
 (6):Housing color:
 BK=Black(Only)
 (7):Terminal plating
 S=Silver(Ag)(Standard)
 T=Tin(Sn)
 G=Gold(Au)
 (8):Special option:
 0=No special option
 (9):Packing mode:
 1=Reel packing
 3=Plastic box packing
 4=Bag packing

SPECIFICATION:

- Rating : DC 25V 3A;
- Contact resistance: ≤50mΩ;
After test:≤100mΩ
- Insulation resistance: ≥100MΩ (DC500V);
After test:≥50MΩ
- Withstand voltage: 500VAC ;
- Insertion and extraction force: 3-30N;
- life test: 5,000 cycles;
- Operation temperature range:-20°C~70°C;
- Preservative temperature range:-40°C~85°C;



DC MATE PLUG

Model No.	G	H	J
CENTER PIN	∅1.65	∅2.0	∅2.5

○: ITEM NO. □: TERMINAL NO.

NO.	PARTS	MATERIAL	Q'TY	FINISHING	TOLERANCE	ANGLES	UNITS	mm	东莞市腾兴电子有限公司			
7	Ground shield	Brass t=0.2	1	Ni-Plating	±0.3	±2°	MAT'L	SEE NOTE	TITLE: DIP DC POWER JACK		PART NO.: DCB0-0044A	
6	Shield plate	Stainless steel t=0.1	1						DR: Ricky 2019/04/29		DWG NO.: AB0-0044A	
5	Shunt Terminal	Brass t=0.3	1	Ag-Plating	THESE DRAWINGS AND SPECIFICATIONS ARE THE PROPERTY OF ACCURATE INNO TECH INC AND SHALL NOT BE REPRODUCED, COPIED OR USED IN ANY MANNER WITHOUT THE PRIOR WRITTEN CONSENT OF ACCURATE INNO TECH INC.		FINISH	SEE NOTE	CHKD: Ricky 2019/04/29		SCALE SHEET REV. CUSTOMER DRAWING	
4	Tip Spring	Phosphor Bronze t=0.3	1	Ag-Plating					APPD:		1:1	1/1
3	Center pin contact	Brass t=0.25	1	Ag-Plating			Q'TY	SEE NOTE				
2	Center pin	Brass	1	Ni-Plating								
1	Housing	PBT/PA9T	1									