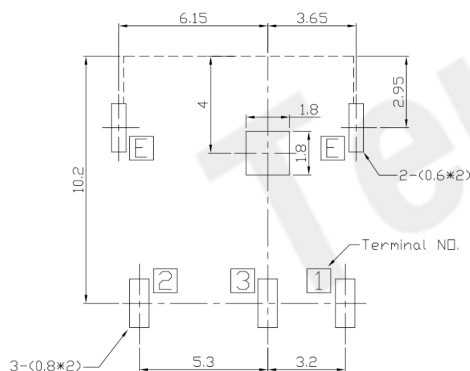
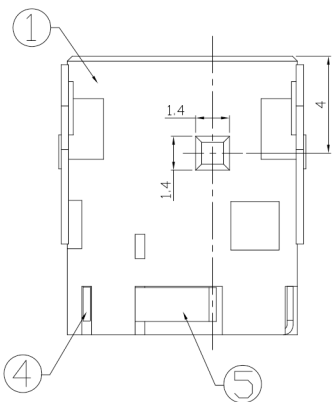
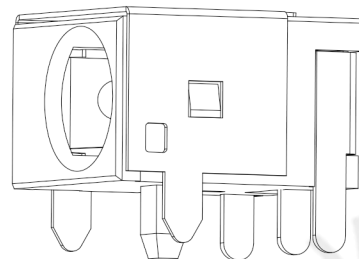
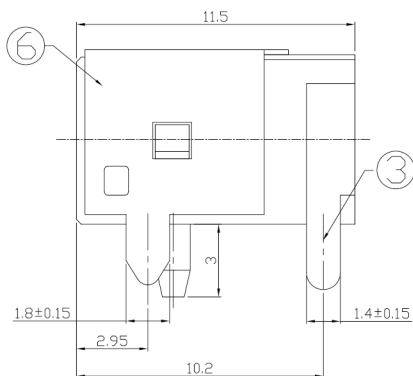
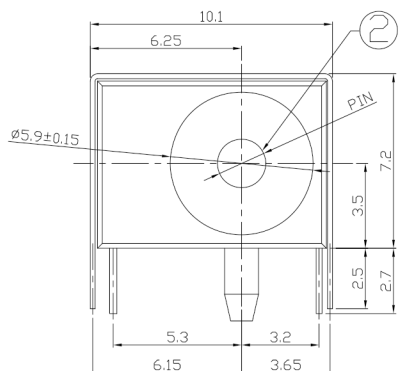




RoHS Compliant
2002/95/EC

DIMENSIONS



P.C.B Layout
(Copper-sided view)

MODEL CODE:

DCB0-0044B- A □ PB BK S 0 4

(1) (2) (3)(4) (5) (6) (7)(8) (9)

(1):Series type:DIP DC POWER JACK.

(2):Series No.

(3):Schematic option: A , B

(4):Center pin diameter:

G=φ1.65 , H=φ2.0 , I=φ2.35 , J=φ2.5

(5):Material of housing:

PB=PBT(Standard) , 9T=PA9T

(6):Housing color:

BK=Black(Only)

(7):Terminal plating

S=Silver(Ag) (Standard)

T=Tin(Sn)

G=Gold(Au)

(8):Special option:

0=No special option

(9):Packing mode:

1=Reel packing

3=Plastic box packing

4=Bag packing

SPECIFICATION:

1.Rating : DC 30V 0.5A;

2.Contact resistance : ≤30mΩ;

After test:≤50mΩ

3.Insulation resistance : ≥100MΩ (DC500V);

After test:≥50MΩ

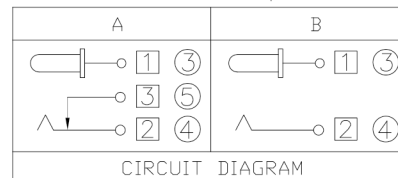
4.Withstand voltage : 500VAC ;

5.Insertion and extraction force : 3-30N;

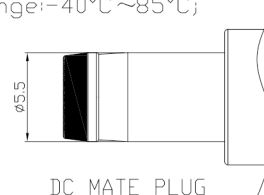
6.life test : 5,000 cycles;

7.Operation temperature range:-20°C~70°C;

8.Preservative temperature range:-40°C~85°C;



CIRCUIT DIAGRAM



DC MATE PLUG

Model No.	G	H	I	J
CENTER PIN	φ1.65	φ2.0	φ2.35	φ2.5

○: ITEM NO. □: TERMINAL NO.

NO.	PARTS	MATERIAL	Q'TY	FINISHING	TOLERANCE	ANGLES	UNITS
⑥	Earth terminal	Brass	1	Cu-Ni-Plating			mm
⑤	Shunt terminal	Brass	1	Ni-Ag-Plating	±0.3	±2°	MAT'L
④	Tip spring	Phosphor bronze	1	Ni-Ag-Plating			SEE NOTE
③	Center pin terminal	Brass	1	Ni-Ag-Plating			FINISH
②	Center pin	Brass	1	Cu-Sn-Plating			SEE NOTE
①	Housing	PBT/PA9T	1				Q'TY

THESE DRAWINGS AND SPECIFICATIONS ARE THE PROPERTY OF ACCURATE INNO TECH INC AND SHALL NOT BE REPRODUCED, COPIED OR USED IN ANY MANNER WITHOUT THE PRIOR WRITTEN CONSENT OF ACCURATE INNO TECH INC.



东莞市腾兴电子有限公司

TITLE: DIP DC POWER JACK

PART NO.: DCB0-0044B

DR: Ricky 2019/04/29

DWG NO.: AB0-0044B

CHKD: Ricky 2019/04/29

APPD:

SCALE	SHEET	REV.	CUSTOMER DRAWING
1:1	1/1	A	